

# OilGuard Ex

## On-line Oil in Water Analyzer



### Applications

- Produced water discharge or reuse monitoring
- Monitoring effectiveness of oil separators
- Detection of oil leakage into cooling water/waste water
- Slop tank overboard discharge monitoring

### Industries

- Crude oil production offshore & onshore
- Refineries
- Petrochemicals
- Power plants
- Ship building

### Advantages

- Well-proven UV-Fluorescence measuring principle
- True non-contact measurement in a free-fall stream
- Dual-beam optics for highest accuracy and stability
- Integrated operation panel with touch screen, color display and data logger
- Flexible, modular system
- Fast recalibration with checking unit
- Minimum maintenance requirements
- Correlates to any International recognized standard reference method

# OilGuard Ex

## On-line Oil in Water Analyzer

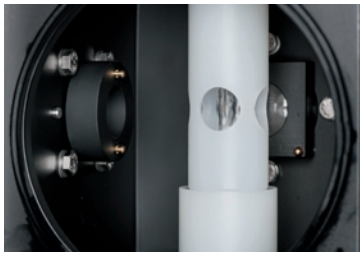
### Innovations with real benefits



#### Modular design

The system design can be tailored to suit specific installation requirements:

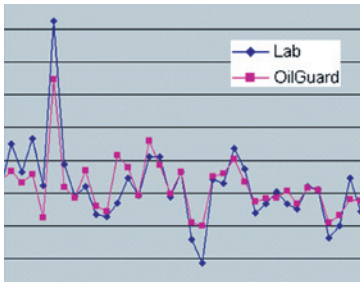
- Select a single analyzer or a complete pre-mounted system.
- Optional sample conditioning system, including pumps are available.
- Optional integrated sampling station for QC purpose.



#### Lowest cost of ownership Negligible maintenance

SIGRIST's well-proven true non-contact measuring concept prevents the entire system from scaling. This leads into a amazing long maintenance interval:

- No ultrasonic cleaning device is needed.
- The negligible maintenance is quick and easy no special tooling is required.



#### Reliable measurement

The instrument uses a sophisticated dual-beam optical setup with optimized wavelength configuration:

- Guarantees highest accuracy and stability of the measurement.
- Fluctuations and light source ageing are automatically compensated.
- The relevant HC components are measured.
- Reduces the impact of solids.



#### Instant reading verification

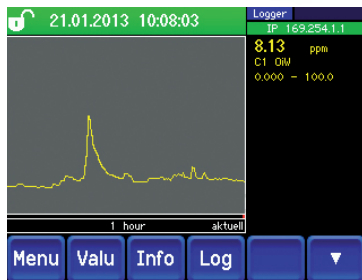
Quick reading verifications and instrument recalibration with the unique secondary solid reference standard from SIGRIST:

- No chemicals are needed for recalibration or cleaning.
- No special tooling is required.

#### Integrated control unit

The control unit in the OilGuard is based on an integrated colour touch screen:

- Values, graphs, alarm- and status messages can be presented upon customer desire.
- An internal data logger allows recalling and displaying measured data of the last 32 days.



#### Technical Data

##### OilGuard Ex Oil in Water Analyzer:

Measuring principle:	UV-Fluorescence
Measuring span:	0 .. 100 FLU 0 .. 1000 ppm oil* <sup>1)</sup>
Measuring ranges:	8, freely configurable
Resolution:	+/- 0.5%* <sup>2)</sup>
Reproducibility:	+/- 2%* <sup>2)</sup>
Response time:	< 2 s (step response → limit switch)
Installation:	On-line side stream
Sample connection:	Inlet: ¾" NTP / 16mm Outlet: 2" NTP / 50mm
Material, wetted parts:	PVDF
Material housing:	316L SS / 1.4404
Sample flow rate:	1.3 .. 1.9 gpm / 5 .. 7 l/min
Sample pressure:	atmospheric
Sample temperature:	max. +203 °F / +95 °C
Ambient temperature:	-4 .. +122 °F / -20 .. +50 °C
Ambient humidity:	0 .. 100% RH
Protection degree:	IP66
Ex protection class:	Ex px ib IIC T4 Gb
Power supply:	230V 50/60 Hz, 100/115/130V
Power input max:	65 W
Dimensions:	14 x 20 x 27" 35 x 50 x 70 cm (W x L x H)
Weight:	82 lbs. / 37 kg

##### Operation:

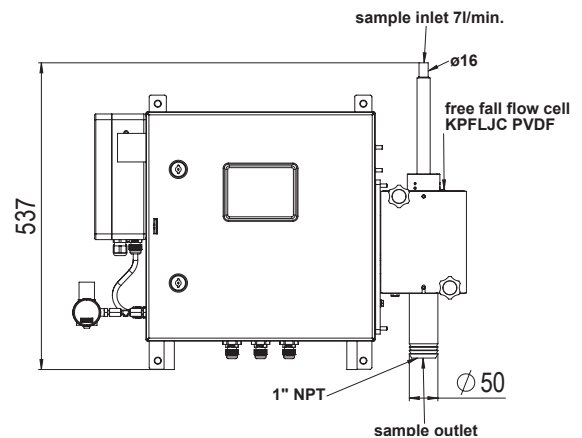
Display:	¼VGA, 5.7"
Operation panel:	Touchscreen
Inputs / Outputs:	4x 0/4 .. 20 mA, galv. separated 7x digital outputs, 5x digital inputs, freely configurable
Digital Interface:	Ethernet, Modbus TCP microSD-card
Optional:	Hart, Profibus DP, Modbus RTU

##### Accessories:

Sample conditioning system  
Sample feed pump  
Sample return pump  
Mounting rack  
Integrated statutory sampling point

\*<sup>1)</sup> Depending on the oil characteristics

\*<sup>2)</sup> Referred to quinine sulfate in water



photometer.com/f62c

Your representative:

**ProDetec**  
Measure . Prevent . Protect . Control

ProDetec Pty.Ltd.

P. +61 (02) 9620 8700  
F. +61 (02) 9620 8755  
E. info@prodetec.com.au  
A. 17/38 Powers Rd,  
Seven Hills NSW 2147  
www.prodetec.com.au

**SIGRIST**  
PROCESS-PHOTOMETER

SIGRIST-PHOTOMETER AG  
Hofurlistrasse 1 · CH-6373 Ennetbürgen  
Tel. +41 41 624 54 54 Fax +41 41 624 54 55  
www.photometer.com