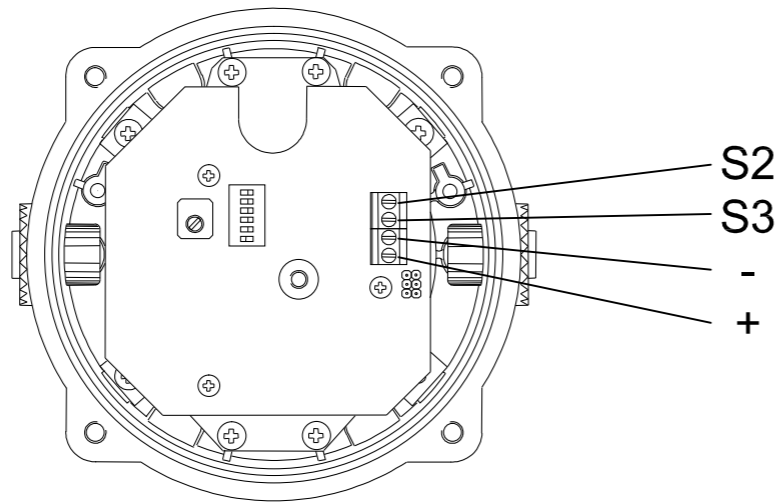


Fig 1 DC Terminals



Line Monitoring

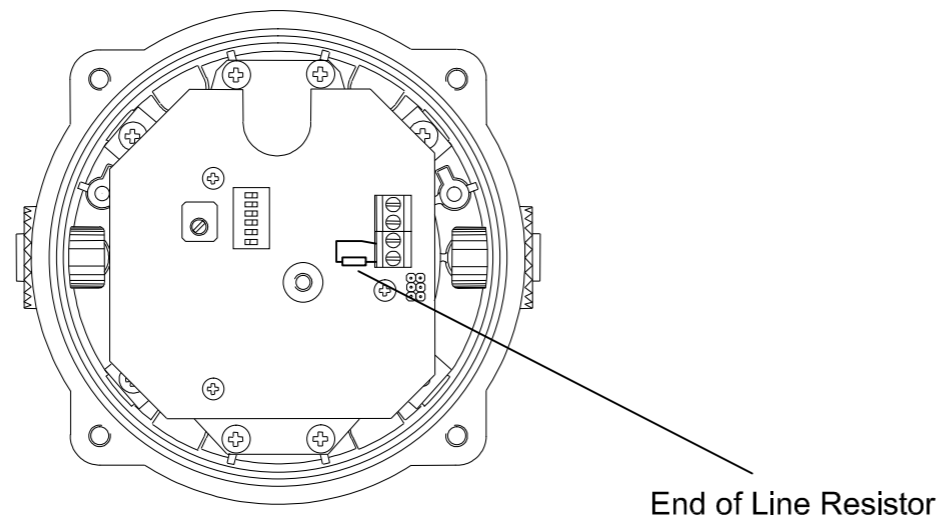
On BExS110D ; BExS120D ; BExDS110D ; BExDS120D DC units, DC reverse line monitoring can be used as required.

All DC sounders have a blocking diode fitted in their supply input lines. An end of line monitoring diode or an end of line monitoring resistor can be connected across the +ve and -ve terminals.

If an end of line resistor is used it must have a minimum resistance value of 3k3Ω and a minimum power rating of 0.5 watts or a minimum resistance value of 500Ω and a minimum power rating of 2 watts.

The resistor must be connected directly across the +ve and -ve terminals as shown in the following drawing. The resistor leads should be kept as short as possible.

Fig 2 End of Line Resistor Placement



SOUNDER TERMINALS

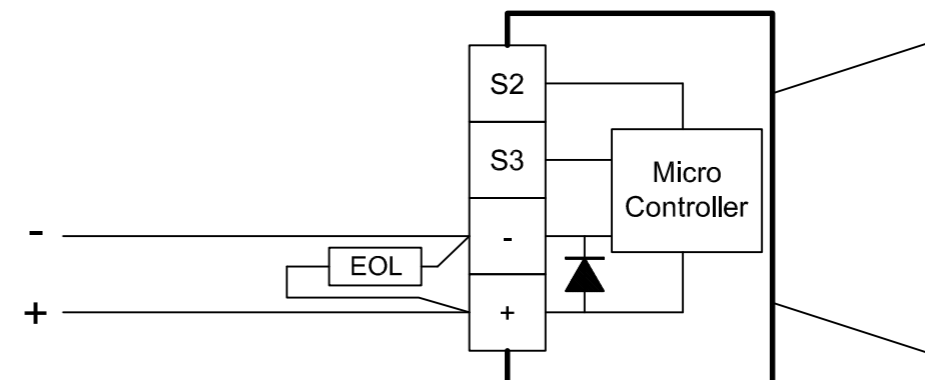



Fig 3 Schematic of EOL Resistor in Circuit

Note: Content is for general information only and is subject to change without notification.

THIS DRAWING IS CONFIDENTIAL AND COPYRIGHT PROPERTY OF THE MANUFACTURER AND MUST NOT BE COPIED OR LENT WITHOUT PERMISSION

<p>Customer: Project: PO# Reference: Date:</p>	<p>Drawing: SK0444 REV: 01 Title: BExS110 Ex d Alarm Horn - Radial Omni-Directional BExS110D; BExS120D; BExDS110D & BExDS120D Line Monitoring EOL & Diode Schematic Diagram DATE: 23/09/16 DWG BY: PRDCM</p>	 <p>ProDetec Pty.Ltd. P. +61 (02) 9620 8700 F. +61 (02) 9620 8755 E. info@prodetec.com.au A. 17/38 Powers Rd, Seven Hills NSW 2147 www.prodetec.com.au</p> <p>Measure . Prevent . Protect . Control</p>
---	--	---