

BExTBG05 Explosion Proof Telephone Beacon 5 Joule

The flameproof BExTBG05 telephone initiated 5 Joule Xenon beacons are suitable for Zone 1, 2, 21 & 22 applications. Approved to IECEx, ATEX, Ex EAC and INMETRO standards.

The BExTBG05 5 Joule units are telephone initiated beacons. Their robust construction makes installation in the harshest of environments possible. Additional features include stainless steel lens guard and stainless steel mounting bracket as standard. The ring tone detect circuit senses the ringing voltage on the telephone line and switches the supply (115V ac or 230V ac) to enable the beacon until the telephone is answered.

The BEx range features enclosures manufactured from corrosion proof, marine grade copper free LM6 aluminium with a chromate and powder coat finish. All models have two M20 cable entries.

Features

- Marine grade, corrosion proof, LM6 aluminium enclosure
- Xenon tubes mechanically secured against shock & vibration
- Glass lens & Stainless Steel guard
- Very large termination area.
- Dual M20 cable entries – adaptors available.
- Stopping plug included.
- Ratchet adjustable stainless steel ‘U’ bracket.
- IP66/67 ingress protection.
- 120 candela effective light intensity.
- UV stable PC, field replaceable, colour lens filter.

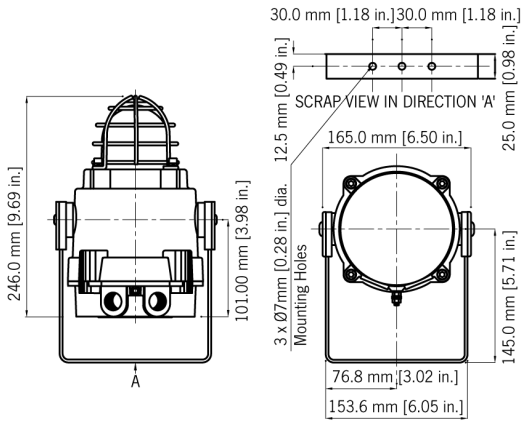
Approvals

- IECEx KEM 10.0002X
- ATEX KEMA 00ATEX2006X
- TR-CU Ex EAC certificate: RU C-GB.AA71.B.00109
- INMETRO certificate: 10IEx-0010

Coding

- II 2G Ex d IIC T5 Gb Ta. -50°C to +45°C
- II 2G Ex d IIC T4 Gb Ta. -50°C to +70°C
- II 2D Ex tb IIIC T90°C Db Ta. -50°C to +40°C
- II 2D Ex tb IIIC T105°C Db Ta. -50°C to +55°C
- II 2D Ex tb IIIC T120°C Db Ta. -50°C to +70°C





Specification

Energy:	5 Joules (5Ws)
Flash rate:	1Hz (60 fpm)
Peak Candela:	500,000 cd – calculated from energy (J)
Eff. Intensity cd:	250 cd – calculated from energy (J)
Peak Candela:	39,463 cd* – measured ref. to I.E.S.
Eff. Intensity cd:	120 cd* – measured ref. to I.E.S.
Lens colours:	Amber, Blue, Clear, Green, Magenta, Red & Yellow
Voltages AC:	115vac; 230vac
Ingress protection:	IP66/67
Enclosure matl:	Marine grade copper free LM6 Aluminium
Enclosure finish:	Chromate & powder coated finish – anti-corrosion.
Colour:	RAL3000 Red (others available on request)
Cable entries:	Dual M20 ISO (one stopping plug inc)
Terminals:	0.5 – 2.5mm ² (20-14 AWG)
Enclosure volume:	<2 litres
Tube life :	Emissions are reduced to 70% after 5 million flashes
Grounding stud:	M5
Temperature range:	-50° to +70°C (-58°F to +158°F)
Relative humidity:	95% – Additional tropicalisation is recommended for applications where both high relative humidity and high ambient temperatures exist
Weight :	2.75kg/6.05lbs

*Candela measurements representative of performance with clear lens at optimum voltage.

Part Codes

Version:	Part code:	
Product type:	BExtBGO5	Explosion proof Telephone Initiated 5J Xenon Beacon
Type:	DP	Ex d, UV stable PC Colour Lens
Voltage:	AC115 AC230	115V ac 240V ac
Cable Entry Type: [e]	A B C D E F G	2 x M20x1.5mm 2 x 1/2" NPT – adaptors 2 x 3/4" NPT – adaptors 2 x M25x1.5mm – adaptors 1 x 1/2" NPT – adaptor 1 x 3/4" NPT – adaptor 1 x M25x1.5mm – adaptor
Adaptor/Stopping plug material: [m]	B N S	Brass Nickel Plated Stainless Steel
Bracket/guard matl & tag: [s]	1 2 3 4	A2 304 Stainless Steel A4 316 Stainless Steel A2 304 St/St with Equip. Tag A4 316 St/St with Equip. Tag
Product version: [v]	A1	Default – IECEx, ATEX, Ex EAC & INMETRO
Enclosure colour: [x]	R S	Red RAL3000 Special – contact E2S
Lens colour: [y]	A B C G M R Y	Amber Blue Clear Green Magenta Red Yellow
Accessories:	SP65-0001-A2 SP65-0001-A4 SP65-0003-A2 SP65-0003-A4	Pole Mount Bracket Kit 2" St/St A2 (304) Pole Mount Bracket Kit 2" St/St A4 (316) Sunshade – St/St A2 (304) Sunshade – St/St A4 (316)

Current Consumption

Version:	Voltage:	Current:
115V ac	50Hz/60Hz	+/-10% 140mA
230V ac	50Hz/60Hz	+/-10% 55mA

8 Jan 2020