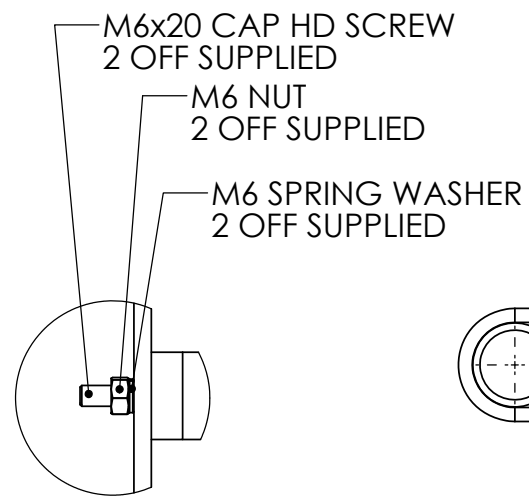
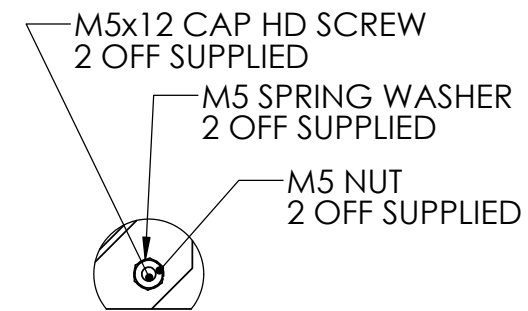
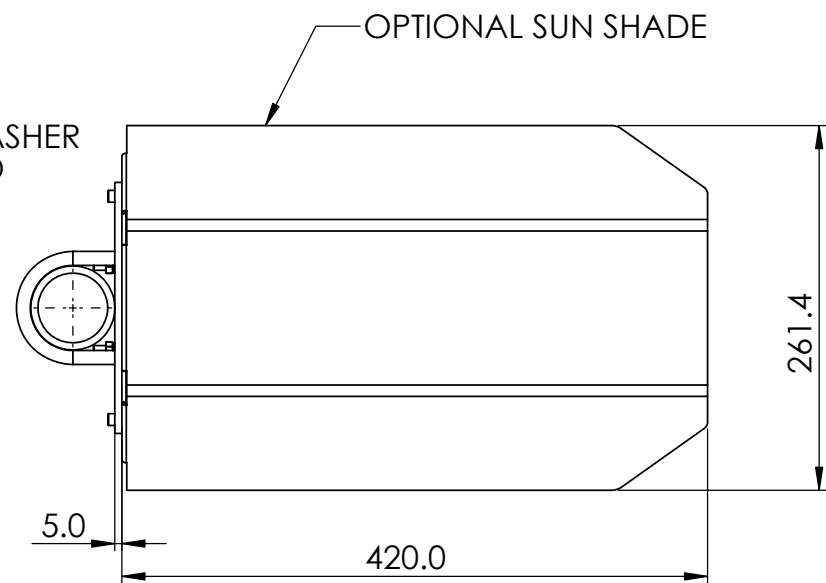


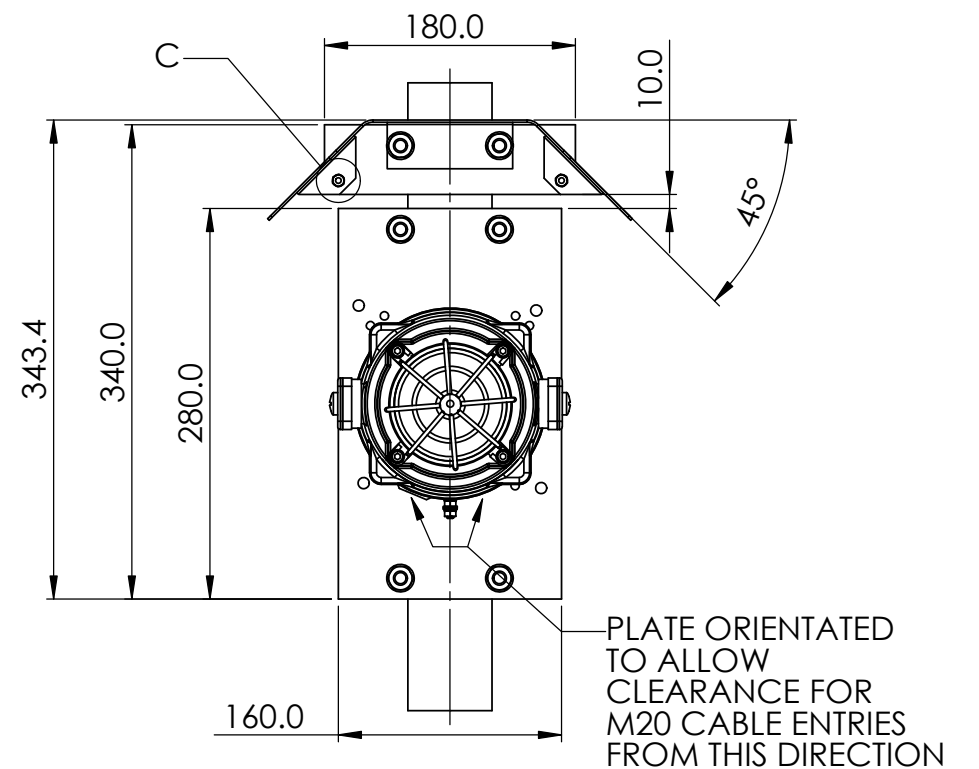
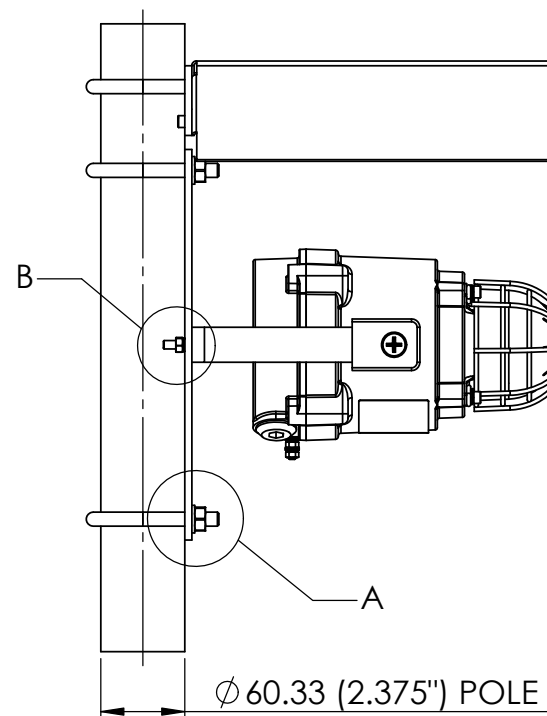
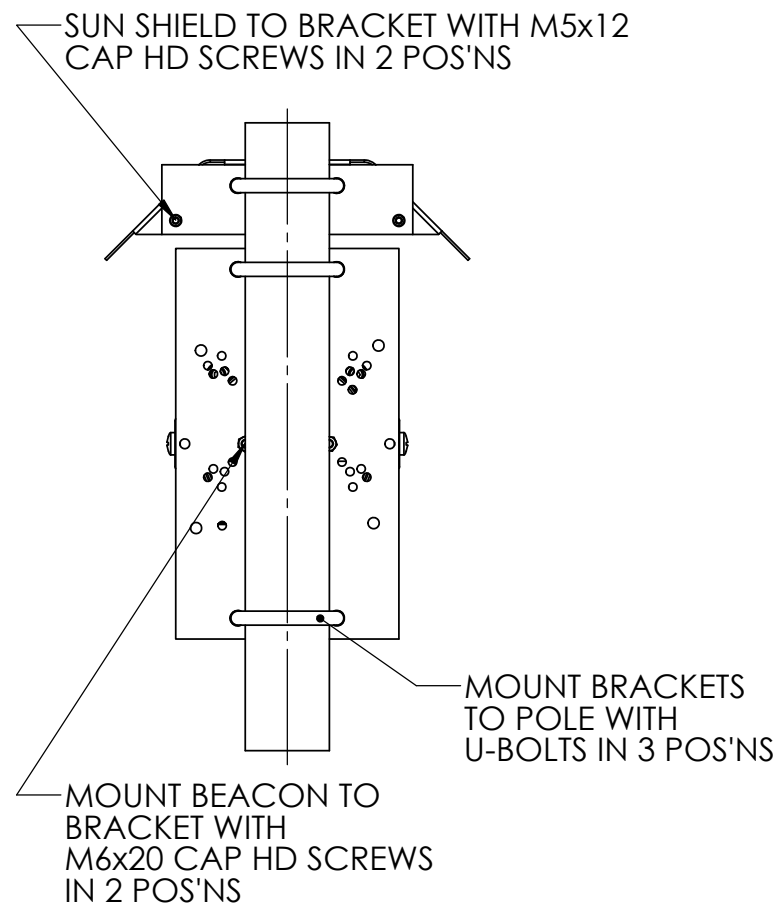
DETAIL A  
SCALE 1 : 2



DETAIL B  
SCALE 1 : 2



DETAIL C  
SCALE 1 : 2



Note: Content is for general information only and is subject to change without notification.

THIS DRAWING IS CONFIDENTIAL AND COPYRIGHT PROPERTY OF THE MANUFACTURER AND MUST NOT BE COPIED OR LENT WITHOUT PERMISSION

Customer:  
Project:  
PO#  
Reference:  
Date:

Drawing: D217-05-201 REV: 01  
Title: **BExBG15 Explosion Proof Xenon Beacon 15 Joule  
DN 50mm (NPS 2") Pole & Sun Screen BExBG  
Beacons**  
DATE: 24/11/17 DWG BY: PRDCM



ProDetec Pty.Ltd.  
P. +61 (02) 9620 8700  
F. +61 (02) 9620 8755  
E. info@prodetec.com.au  
A. 17/38 Powers Rd,  
Seven Hills NSW 2147  
www.prodetec.com.au