

GNExCP6B-PT Tool Reset Call Point

The GNExCP6B manual call points are available as break glass, push button or tool reset versions. They are approved for Zone 1, 2, 21 and 22 hazardous areas for the control of fire and gas alarm systems.

All types are available with EOL or series resistors, diode or Zener diodes or an LED indicator and also with either single or double pole change over switches. All versions are certified to ATEX and IECEx standards. GNExCP6C versions are certified for ambient temperatures of +55°C.

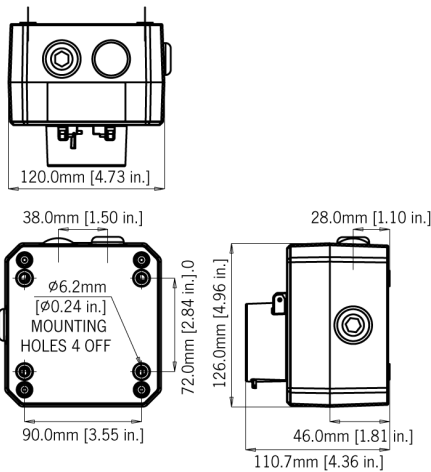
Options

- Alternative housing colours are available to meet specific requirements.
- Single or double pole c/o switch.
- DIN rail mounted terminal blocks: 8 × 2.5mm².
- Metalised polyester or stainless steel “Duty” label.
- Series and/or End of Line resistors, diodes & Zener diodes
- Indicator LED.

Approvals

- ATEX certificate: Sira 09ATEX3286X
- IECEx certificate: IECEx SIR 09.0121X
- SIL 2 certified to IEC 61508 (2010)
- Ex EAC TR CU 012/2011 certified: KZ.1510019.22.01.00271
- PESO CCOE certified: P471504





Specification

GNEXP6B:	II 2G Ex d e mb IIC T4 Gb II 2D Ex t IIIC T80°C Db IP66
Ambient:	Ta = -40°C to +50°C/+55°C [-40° to +122°F/+131°F]
Ingress protection:	IP66
Housing material:	GRP – glass reinforced polyester (UV stable)
Colour:	RAL3000 Red (others available on request)
Cable entries:	2 x M20 clearance top and 1 x M20 clearance side. Back box can be rotated to give 2 x bottom and 1 x side entries.
Stopping plugs:	2 x Ex e nylon plugs as standard Brass and stainless steel plugs optional
Terminals:	6 × 4.0mm ² / 8 × 2.5mm ²
Weight:	1.3Kg/2.86lbs
Note:	For applications that do not require monitoring resistors, diodes or indicator LED's please see the GNEXP6A-PT version. Data sheet reference: 1.3.06.
	The GNEXP6B call point can contain a maximum of two resistor or diode E.O.L. or series modules. The LED indicator can be combined with an EOL/resistor or diode.

Part Codes

Version:	Part code:	
Product type:	GNEXP6B-PT	B type – choice of end of line devices
	GNEXP6C-PT	C type – with +55C certified temperature
Switch Type: [s]	S	SPCO
	D	DPCO
Stopping plug material: [m]	N	Nylon
	B	Brass
	P	Nickel Plated
	S	Stainless Steel
Terminals: [t]	S	Standard 6 × 4mm ²
	D	DIN Rail 8 × 2.5mm ²
Duty label [d]:	N	No duty label
	P	Metalised Polyester
	S	Stainless Steel
Enclosure colour: [x]	RD, BL, GN, YW	Red, Blue, Green, Yellow
	RW, YB, BK	Red/White, Yellow/Black, Black
Voltage: [v]	48, 24	48V, 24V, 12V, 6V
	12, 06	System voltage
E.O.L. Module: [Exxx]	ExxxR	Resistor value in Ohms e.g. E470R = 470 Ohm
	ED1	Diode IN4007 = ED1
	ExxxZ	Zener diode e.g. E5V1Z = 5.1V
Series Module: [Sxxx]	SxxxR	Resistor value in Ohms e.g. S1K5R = 1.5K Ohm
	SD1	Diode IN4007 = SD1
	SxxxZ	Zener diode e.g. S5V1Z = 5.1V
	LED	LED = LED indicator
Accessories:	SP65-0001-A2	Pole Mount Bracket Kit 2" St/St A2 (304)
	SP65-0001-A4	Pole Mount Bracket Kit 2" St/St A4 (316)
	SP65-0002-A2	Sunshade – St/St A2 (304)
	SP65-0002-A4	Sunshade – St/St A4 (316)

Versions

Resistors:	Zener Diodes:		Diodes:			
	Max./Nominal Voltage:	Min. Resistor Value:	Zener Voltage:	Max. Input Current:	Max. Voltage:	Max. Current:
56V / 48V	1K8	0.75A	3.3V	56V dc	<56V dc	0.75A
28V / 24V	470R	1.00A	4.7V	dc	162mA	<50V dc 1.00A
15V / 12V	120R	1.00A	5.1V	56V dc	149mA	
9V / 6V	47R	1.00A	5.6V	dc	136mA	
			6.2V	56V dc	112mA	
			6.8V	dc	122mA	
			10V	56V dc	76mA	
			12V	dc	63mA	
				56V		



ProDetec Pty.Ltd.
P. +61 (02) 9620 8700
F. +61 (02) 9620 8755
E. info@prodetec.com.au
A. 17/38 Powers Rd,
Seven Hills NSW 2147
www.prodetec.com.au

E2S Warning Signals sales@e2s.com www.e2s.com

No liability is accepted for any consequence of the use of this document. The technical specification of this unit is subject to change without notice due to our policy of continual product development. All dimensions are approximate. The unit is subject to our standard conditions of sale, a copy of which is available on request.

19 Mar 2020