

GNExL1 PA Loudspeaker 15W

The flameproof GNExL1 PA loudspeaker is IECEx and ATEX approved, suitable for Zone 1 & Zone 2 applications. Rated power: 15W, available in 70V/100V line transformer and 8 & 16 Ohm low impedance versions.

The GNEx range features enclosures manufactured from GRP (glass reinforced polyester), moulded in natural red, but also available in other colours.

The re-entrant flare horn is high impact, fire retardant ABS. All models contain dual cable entries, large termination areas containing in & out terminals and an ingress protection of IP66/67.

Features

- Very large termination area.
- Ratchet adjustable stainless steel 'U' bracket.
- IN & OUT terminals

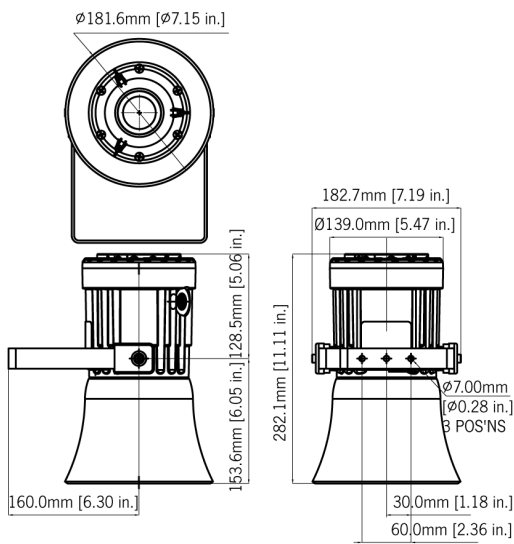
Approvals

- ATEX certificate: SIRA 13ATEX1139X,
- IECEx certificate: IECEx SIR 13.0029X,
- Ex EAC TR CU 012/2011 certified: KZ.1510019.22.01.00271

Coding

- II 2G Ex d IIC T4 Ta. -60° to +50°C
- II 2G Ex d IIC T3 Ta. -60° to +70°C
- II 2G Ex d IIB T6 Ta. -60° to +50°C
- II 2G Ex d IIB T5 Ta. -60° to +65°C
- II 2G Ex d IIB T4 Ta. -60° to +70°C





Specification

SPL:	102dB +/-3dB @ 1w @ 1m (Pink) 113dB +/-3dB @ 15w @ 1m (Rated)
Rated power:	15 Watts RMS
70v line tapings:	15w / 7.5w / 3w / 1w
100v line tapings:	15w / 7.5w / 3w / 1w
Low impedance:	8 Ohm or 16 Ohm
Dispersion:	120° @ 1kHz & 32° @ 4kHz
Frequency range:	400Hz to 8000 Hz
DC Line monitoring:	2.2 μ F Capacitor (Transformer) 470 μ F Capacitor (Low impedance)
Ingress protection:	IP66/67
Housing material:	GRP
Colour:	RAL3000 Red (others available on request)
BExL15 flare:	High impact UL94 V0 & 5VA FR ABS (Red)
Cable entries:	Dual M20 ISO
Terminals:	0.5 to 4.0mm ² cables.
Relative humidity:	95% - Additional tropicalisation is recommended for applications where both high relative humidity and high ambient temperatures exist
Weight:	70/100V line: 3.8kg/8.36lbs Low imp.: 3.45kg/7.59lbs

Part Codes

Version:	Part code:	Description:
Product type:	GNExL1	15W Loudspeaker
Type:	V100 R008 R016	100V/70V Line Transformer 8 Ohm Low impedance 16 Ohm Low impedance
Cable Entry Type: [e]	A B C D E F G	2 x M20x1.5mm 2 x 1/2" NPT - adaptors 2 x 3/4" NPT - adaptors 2 x M25x1.5mm - adaptors 1 x 1/2" NPT - adaptor 1 x 3/4" NPT - adaptor 1 x M25x1.5mm - adaptor
Stopping plug material: [m]	B N S	Brass Nickel Plated Stainless Steel
Bracket material: [s]	1 2 3 4	A2 304 Stainless Steel A4 316 Stainless Steel A2 304 St/St with Equip. Tag A4 316 St/St with Equip. Tag
Product version: [v]	A1	Approval to ATEX & IECEx (default)
Enclosure colour: [x]	R S	Red Special colour - contact sales
Accessories:	SP65-0001-A2 SP65-0001-A4 SP65-0003-A2 SP65-0003-A4	Pole Mount Bracket Kit 2" St/St A2 (304) Pole Mount Bracket Kit 2" St/St A4 (316) Sunshade - St/St A2 (304) Sunshade - St/St A4 (316)



ProDetec Pty.Ltd.

P. +61 (02) 9620 8700
F. +61 (02) 9620 8755
E. info@prodetec.com.au
A. 17/38 Powers Rd,
Seven Hills NSW 2147
www.prodetec.com.au

E2S Warning Signals sales@e2s.com www.e2s.com

No liability is accepted for any consequence of the use of this document. The technical specification of this unit is subject to change without notice due to our policy of continual product development. All dimensions are approximate. This unit is sold subject to our standard conditions of sale, a copy of which is available on request.

11 Oct 2019