

MBX10 Xenon Strobe Beacon

The MBX10 is a 10 Joule Xenon strobe beacon featuring a robust, fire retardant, IP66 & IP67 enclosure; suitable for harsh environments.

The 'M' series of products have been designed to withstand the harshest of environments. Constructed from lightweight, impact and fire resistant ABS, the range features stainless steel, ratchet adjustable mounting brackets and has been third party tested to IP66/67.

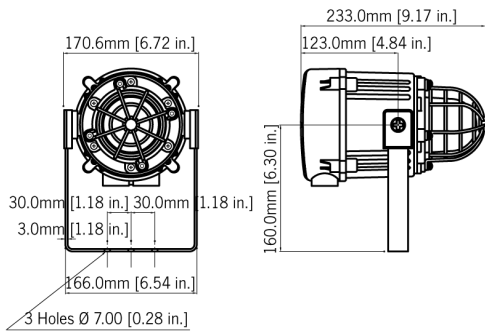
Features

- Automatic synchronisation on multi-beacon system.
- Beacons can be set to 'flip-flop' alternating mode with other units on multi-beacon systems.
- Xenon tubes mechanically secured against shock & vibration
- Glass lens & Stainless Steel guard
- Very large termination area.
- Dual M20 cable entries - adaptors available.
- Stopping plug included.
- Ratchet adjustable stainless steel 'U' bracket.
- Reverse polarity diode fitted.
- Ingress protection IP66/67 Type 4/4X/13
- 380 effective candela light intensity.
- 87,590 peak candela light intensity.
- UV stable PC, field replaceable, colour lens filter.

Approvals

- GOST-R approved. Cert: POCC GB.JB05.H00144.





Specification

Energy:	10 Joules (10Ws)
Flash rate:	1Hz (60 fpm)
Peak Candela:	1,000,000 cd – calculated from energy (J)
Eff. Intensity cd:	500 cd – calculated from energy (J)
Peak Candela:	87,590 cd* – measured ref. to I.E.S.
Eff. Intensity cd:	380 cd* – measured ref. to I.E.S.
Lens colours:	Amber, Blue, Clear, Green, Magenta, Red & Yellow
Voltages DC:	12vdc; 24vdc; 48vdc
Voltages AC:	115vac; 230vac
Ingress protection:	IP66/67 Type 4/4X/13
Housing material:	High impact UL94 V0 & 5VA FR ABS
Colour:	Grey (RAL7038)
Cable entries:	Dual M20x1.5 or 1/2"NPT
Lens material:	Borosilicate glass dome with PC prismatic lens cover.
Guard:	Stainless Steel dome guard as standard
Terminals:	0.5 – 2.5mm ² (20-14 AWG)
Operating temp:	-25 to +55°C [-13° to +131°F]
Storage temp:	-40 to +70°C [-40 to +158°F]
Relative humidity:	90% at 20°C [68°F]
Weight:	1.48kg/3.25lbs

*Candela measurements representative of performance with clear lens at optimum voltage.

Part Codes

Part Code:	Ident.:	Description:
Product type:	MBX10	Xenon Strobe Beacon
Voltage:	AC115 AC230 DC012 DC024 DC048	115V ac 50/60Hz 230V ac 50/60Hz 12V dc (10-14V dc) 24V dc (20-28Vdc) 48V dc (42-54V dc)
Cable entries: [e]	A B C	M20x1.5 & ½" NPT M20x1.5 & M20x1.5 ½" NPT & ½" NPT
Stopping plug material: [m]	N	Nylon
Bracket & Guard: [s]	1 2	304 (A2) Stainless Steel 316 (A4) Stainless Steel
Version: [v]	A1	CE, EAC & Russian Maritime
Enclosure: [x]	G R	Grey (RAL7038) Red (RAL3000)
Lens colour: [y]	A, B, C G, M, R Y	Amber, Blue, Clear Green, Magenta, Red Yellow

Current Consumption

Version:	Voltage:	Current mA:
12V dc	10-14V dc	1.45A
24V dc	20-28V dc	660mA
48V dc	42-54V dc	340mA
115V ac 50/60Hz	+/-10%	250mA
230V ac 50/60Hz	+/-10%	110mA



ProDetec Pty.Ltd.

P. +61 (02) 9620 8700
F. +61 (02) 9620 8755
E. info@prodetec.com.au
A. 17/38 Powers Rd,
Seven Hills NSW 2147
www.prodetec.com.au

18 Oct 2019