

MCBX05X05 Dual Xenon Strobe Beacon

The MCBX05X05 is a dual 5 Joule Xenon strobe beacon featuring a robust, fire retardant, IP66 & IP67 enclosure. The two Xenon beacon circuits can be connected to operate from the same power source or individually.

The 1 Hz flash rate is automatically synchronised between the beacons or can be set to 'flip-flop' mode to create an alternate flash. The 'M' series of products have been designed to withstand the harshest of environments. Constructed from lightweight, impact and fire resistant ABS, the range features stainless steel, ratchet adjustable mounting brackets and has been third party tested to IP66/67.

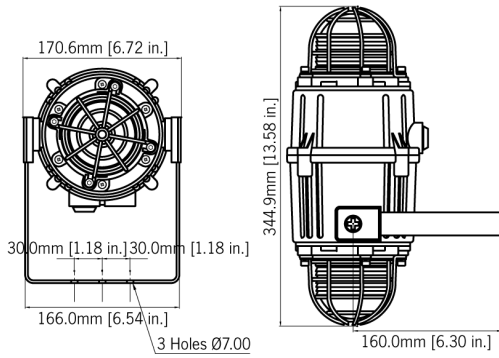
Features

- Automatic synchronisation on multi-beacon system.
- Beacons can be set to flip-flop mode.
- Continuously rated.
- Large termination area.
- Stainless steel fixings.
- Ratchet adjustable stainless steel 'U' bracket for 360° positioning.
- Duplicate cable terminations (in & out for daisy-chain installations).
- Field replaceable UV stable coloured lens filters.
- Tropicalisation available on request.
- Xenon eff. Intensity: 120 cd per beacon
- Ingress protection: IP66/67 Type 4/4X/13

Approvals

- EAC compliant: POCC GB.JB05.H00144.
- Russian Maritime Register





Specification

Energy:	2 × 5 Joules (5Ws)
Flash rate:	1Hz (60 fpm)
Peak Candela:	2 × 500,000 cd – calculated from energy (J)
Eff. Intensity cd:	2 × 250 cd – calculated from energy (J)
Peak Candela:	2 × 39,463 cd* – measured ref. to I.E.S.
Eff. Intensity cd:	2 × 120 cd* – measured ref. to I.E.S.
Lens colours:	Amber, Blue, Clear, Green, Magenta, Red & Yellow
Voltages DC:	12vdc; 24vdc; 48vdc
Voltages AC:	115vac; 230vac
Ingress protection:	IP66/67 Type 4/4X/13
Housing material:	High impact UL94 V0 & 5VA FR ABS
Colour:	Grey (RAL7038)
Cable entries:	2 x M20 supplied with 1 blanking plug
Lens material:	Borosilicate glass dome with PC prismatic lens cover.
Guard:	Stainless Steel dome guard as standard
Terminals:	0.5 – 2.5mm ² (20-14 AWG)
Operating temp:	-25 to +55°C [-13° to +131°F]
Storage temp:	-40 to +70°C [-40 to +158°F]
Relative humidity:	90% at 20°C [68°F]
Weight:	4.84kg/10.67lbs

*Candela measurements representative of performance with clear lens at optimum voltage.

Part Codes

Part Code:	Ident.:	Description:
Product type:	MCBX05X05	Dual Xenon Strobe Beacon
Voltage:	AC115 AC230 DC012 DC024 DC048	115V ac 50/60Hz 230V ac 50/60Hz 12V dc (10-14V dc) 24V dc (20-28Vdc) 48V dc (42-54V dc)
Cable entries: [e]	A B C	M20x1.5 & ½" NPT M20x1.5 & M20x1.5 ½" NPT & ½" NPT
Stopping plug material: [m]	N	Nylon
Bracket & Guard: [s]	1 2	304 (A2) Stainless Steel 316 (A4) Stainless Steel
Version: [v]	A1	CE, EAC & Russian Maritime
Enclosure: [x]	G R	Grey (RAL7038) Red (RAL3000)
Lens colour 1: [y]	A, B, C G, M, R Y	Amber, Blue, Clear Green, Magenta, Red Yellow
Lens colour 2: [y]	A, B, C G, M, R Y	Amber, Blue, Clear Green, Magenta, Red Yellow

Current Consumption

Version:	Voltage:	Current mA: per beacon
12V dc	10-14V dc	750mA
24V dc	20-28V dc	270mA
48V dc	42-54V dc	180mA
115V ac 50/60Hz	+/-10%	140mA
230V ac 50/60Hz	+/-10%	55mA



ProDetec Pty.Ltd.

P. +61 (02) 9620 8700
F. +61 (02) 9620 8755
E. info@prodetec.com.au
A. 17/38 Powers Rd,
Seven Hills NSW 2147
www.prodetec.com.au

18 Oct 2019