

ML15F PA Horn Loudspeaker

The ML15F 15W PA loudspeaker is suitable for harsh environments with high ambient noise levels.

The ML15F features IP66 & IP67 (Type 4/4X) enclosures and re-entrant flare horns manufactured from high impact, fire retardant ABS. All models have dual cable entries and large termination areas containing in & out terminals.

Available with 70 and 100V line transformers or in 8 or 16 Ohm low impedance versions. The 70V line model is UL & cUL approved for Fire Alarm & Emergency and Professional & Commercial use for the US and Canada.

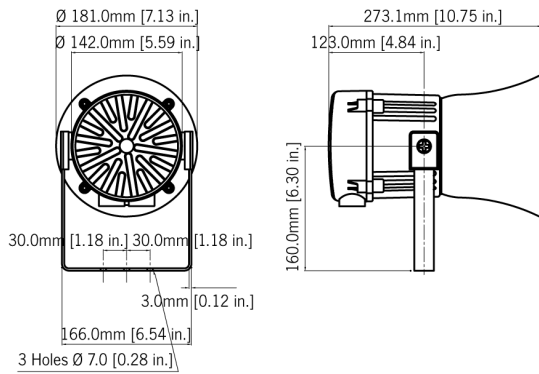
Features

- Continuously rated.
- Large termination area.
- Stainless steel fixings.
- Ratchet adjustable stainless steel 'U' bracket for 360° positioning.
- Duplicate cable terminations (in & out for daisy-chain installations).
- Tropicalisation available on request.
- Fire Alarm & Emergency and Professional & Commercial use.

Approvals

- UL 1480, Fifth Edition
CAN/ULC-S541-07
CSA C22.2 No. 205-12
UL category codes:
UUMW / UUMW7
UEAY / UEAY7
- EAC approved.
Cert: RU D-GB.AL16.V.11083
- Russian Maritime Register of Shipping
Cert: No. 14.02758.315
- CSFM listing: 7320-2279:0502





Specification

| | |
|---|---|
| SPL: | 108dB +/-3dB @ 1w @ 1m - Pink noise 118dB +/-3dB @ 15w @ 1m |
| Rated power: | 15 Watts RMS |
| 70v line tapings: | 15w / 7.5w / 3w / 1w (z=336.67 Ohms / 653.33 Ohms / 1.6kOhms / 4.9kOhms) |
| 100v line tapings: | 15w / 7.5w / 3w / 1w (z=666.87 Ohms / 1.34kOhms / 3.34kOhms / 10kOhms) |
| Low impedance: | 8 Ohm or 16 Ohm |
| Dispersion: | 120° @ 1kHz & 32° @ 4kHz |
| Frequency range: | 400Hz to 8000 Hz |
| DC Line monitoring: | 2.2uF Capacitor (Transformer version) 470uF Capacitor (Low impedance version) |
| Ingress protection: | IP66 & IP67 (Third party tested) UL50E / NEMA250: 4 / 4X / 3R / 13 |
| Housing material: | High impact UL94 V0 & 5VA FR ABS |
| Colour: | Grey (RAL7038) or Red (RAL3000) |
| Cable entries: | 2 x M20; 1 x M20 & 1 x 1/2"NPT; 2 x 1/2"NPT supplied with 1 blanking plug |
| Terminals: | 0.5 to 2.5mm ² cables. |
| Operating temp: | -40 to +66°C [-13° to +131°F] |
| Storage temp: | -40 to +70°C [-40° to +158°F] |
| Relative humidity: | 90% at 20°C [68°F] |
| Weight: | 70/100v line: 2.60kg/5.72lbs Low impedance: 2.20kg/4.84lbs |
| *SPL data +/-3dB(A). Measured at optimum voltage. | |

Part Codes

| Part Code: | Ident.: | Description: |
|-------------------------|---------|--|
| Product type: | ML15 | |
| Horn type: | F | Flare Horn |
| Type: | V100 | 100V Line |
| | V070 | 70V Line |
| | R008 | 8 Ohm Low impedance |
| | R016 | 16 Ohm Low impedance |
| Cable entries: | A | M20x1.5 & 1/2" NPT |
| | B | M20x1.5 & M20x1.5 |
| | C | 1/2" NPT & 1/2" NPT |
| Stopping plug material: | N | Nylon |
| Bracket: | 1 | 304 (A2) Stainless Steel |
| | 2 | 316 (A4) Stainless Steel |
| Approvals: | A1 | CE, EAC, RMRS |
| | B1 | UL, cUL |
| Enclosure: [x] | G | Grey (RAL7038) |
| | R | Red (RAL3000) |
| *NOTE: | | UL & cUL approval only available on 70V line version |



ProDetec Pty.Ltd.
 P. +61 (02) 9620 8700
 F. +61 (02) 9620 8755
 E. info@prodetec.com.au
 A. 17/38 Powers Rd,
 Seven Hills NSW 2147
www.prodetec.com.au

18 Oct 2019