

ML25F PA Horn Loudspeaker

The ML25F 25W PA loudspeaker is suitable for harsh environments with high ambient noise levels.

The ML25F features IP66 & IP67 (Type 4/4X) enclosures and re-entrant flare horns manufactured from high impact, fire retardant ABS. All models have dual cable entries and large termination areas containing in & out terminals.

Available with 70 and 100V line transformers or in 8 or 16 Ohm low impedance versions. The 70V line model is UL & cUL approved for Fire Alarm & Emergency and Professional & Commercial use for the US and Canada.

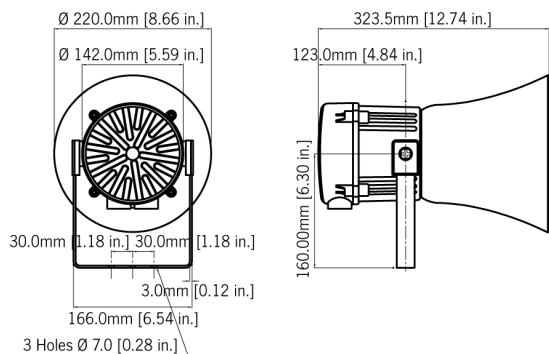
Features

- Continuously rated.
- Large termination area.
- Stainless steel fixings.
- Ratchet adjustable stainless steel 'U' bracket for 360° positioning.
- Duplicate cable terminations (in & out for daisy-chain installations).
- Tropicalisation available on request.
- Fire Alarm & Emergency and Professional & Commercial use.

Approvals

- UL 1480, Fifth Edition
CAN/ULC-S541-07
CSA C22.2 No. 205-12
UL category codes:
UUMW / UUMW7
UEAY / UEAY7
- EAC approved.
Cert: RU D-GB.AL16.V.11083
- Russian Maritime Register of Shipping
Cert: No. 14.02758.315
- CSFM listing: 7320-2279:0502





Specification

SPL:	111dB +/-3dB @ 1w @ 1m - Pink noise 121dB +/-3dB @ 25w @ 1m
Rated power:	25 Watts RMS
70v line tapings:	25w / 12.5w / 6w / 2w tapings (z=196 Ohms/392 Ohms/816.67 Ohms/2.45kOhms)
100v line tapings:	25w / 12.5w / 6w / 2w tapings (z=400 Ohms / 800 Ohms / 1.67kOhms / 5kOhms)
Low impedance:	8 Ohm or 16 Ohm
Dispersion:	130° @ 1kHz & 32° @ 4kHz
Frequency range:	300Hz to 8000 Hz
DC Line monitoring:	2.2uF Capacitor (Transformer version) 470uF Capacitor (Impedance version)
Ingress protection:	IP66 & IP67 (Third party tested) UL50E / NEMA250: 4 / 4X / 3R / 13
Housing material:	High impact UL94 V0 & 5VA FR ABS
Colour:	Grey (RAL7038) and Red (RAL3000)
Cable entries:	2 x M20; 1 x M20 & 1 x 1/2"NPT; 2 x 1/2"NPT supplied with blanking plug
Terminals:	0.5 to 2.5mm ² cables.
Operating temp:	-40 to +66°C [-40° to +151°F]
Storage temp:	-40 to +70°C [-40° to +158°F]
Relative humidity:	90% at 20°C [68°F]
Weight:	70/100V line: 3.00kg/6.6lbs Low impedance: 2.50kg/5.5lbs

*SPL data +/-3dB(A). Measured at optimum voltage.

Part Codes

Part Code:	Ident.:	Description:
Product type:	ML25	
Horn type:	F	Flare Horn
Type:	V100	100V Line
	V070	70V Line
	R008	8 Ohm Low impedance
	R016	16 Ohm Low impedance
Cable entries:	A	M20x1.5 & 1/2" NPT
	B	M20x1.5 & M20x1.5
	C	1/2" NPT & 1/2" NPT
Stopping plug material:	N	Nylon
Bracket:	1	304 (A2) Stainless Steel
	2	316 (A4) Stainless Steel
Approvals:	A1	CE, EAC, RMRS
	B1	UL, cUL
Enclosure: [x]	G	Grey (RAL7038)
	R	Red (RAL3000)
* *NOTE:		UL & cUL approval only available on 70V line version



ProDetec Pty.Ltd.
P. +61 (02) 9620 8700
F. +61 (02) 9620 8755
E. info@prodetec.com.au
A. 17/38 Powers Rd,
Seven Hills NSW 2147
www.prodetec.com.au

18 Oct 2019