

MultiFlame

Wide field of view
Excellent false alarm immunity
Through lens optical check

DF-TV7-V Multi-spectrum UV/2IR Flame Detector

The Simtronics DF-TV7-V is a combined ultraviolet / infrared flame detector offering excellent flame detection whilst maintaining outstanding false alarm immunity.



Description

The MultiFlame DF-TV7-V is designed to respond to unwanted hydrocarbon fires, whilst maintaining a high degree of false alarm immunity.

The device offers a wide range of output options, as standard and is suitable for use in SIL 2 applications. The unit may be interfaced directly with a wide range of fire panels, controllers and PLC's etc.

The unit is fully configurable using a wireless handheld terminal (TLU) or optionally via HART (R) giving true flexibility to the installer. Time delays, sensitivity and output configuration are all set up via the TLU, hazardous area approved handheld unit.

Wireless testing of the optical and output circuits is also possible using the TLU too.

Applications

- Refineries
- Drilling and Production Platforms
- Fuel Loading Facilities
- Compressor Stations
- LNG/LPG Processing and Storage
- Gas Turbines
- Chemical Plants

Features

Combined UV and multi IR technologies

Wide field of view

Relays and 4-20mA output

Through lens optical check

Selectable sensitivity and time delays

Wireless detector configuration and testing using TLU

HART(R) output option available

Benefits

Excellent false alarm immunity

Fewer detectors needed due to enhanced fire detection coverage

Standard industry interfaces

Ensures proper device operation

For configuration to each application

Minimises the need for direct detector access

Full configuration and diagnostics over non-proprietary interface



TLU Wireless (IR)
Handheld Terminal

DF-TV7-V

Technical Data

GENERAL

Technology	Multi-spectrum Ultra Violet Dual Infra Red
Fire Types	Hydrocarbon fires
Range, n-heptane	45m (147ft) 0.3x0.3m (1sq ft)
Range, gasoline	27m (88ft) 0.3x0.3m (1sq ft)

OUTPUT SIGNAL

Standard	4-20mA, max. load impedance 700Ω (Std.)
Option HART (R)	HART Protocol (7th edition) (pending)
PLC option	0-22mA (User configurable)
Syntel	Lonworks
Alarms	2 x configurable Relays max 1A / 30V

ELECTRICAL

Power supply	24V DC, range (18 - 28V DC)
Power consumption	2W normal; 4W during test
Connection	0.14 mm ² (28 AWG) - 1.5 mm ² (16 AWG) Shielded cable recommended.

ENVIRONMENTAL

Storage:	-40°C to +70°C (-40°F to 158°F)
Operation	-40°C to +65°C (-40°F to 149°F)
Option	Sunshade, max. temp. 85°C (185°F)
Humidity	95% RH (non-condensing)
Ingress	IP66
RFI/EMI	Complies with EN5013-40.

EXPLOSION PROOF HOUSING

Material	316 L stainless steel
Weight	5kg (10 lbs)

APPROVALS

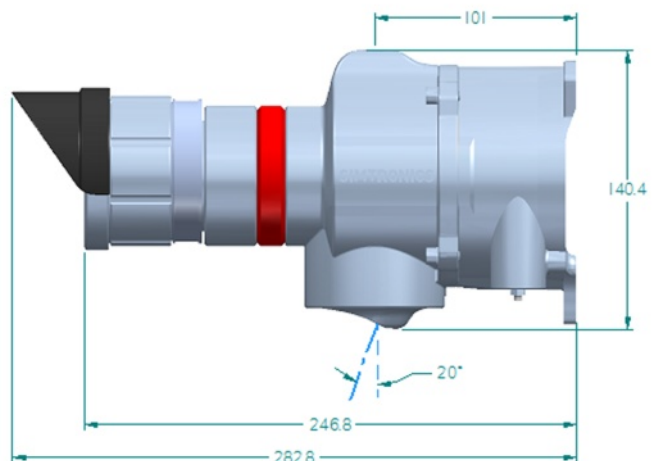
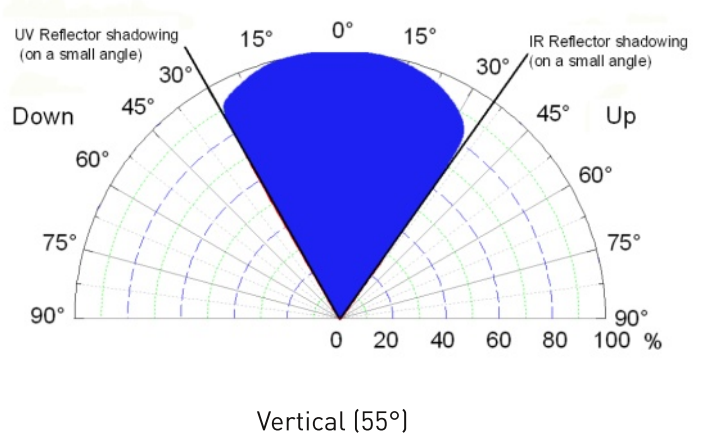
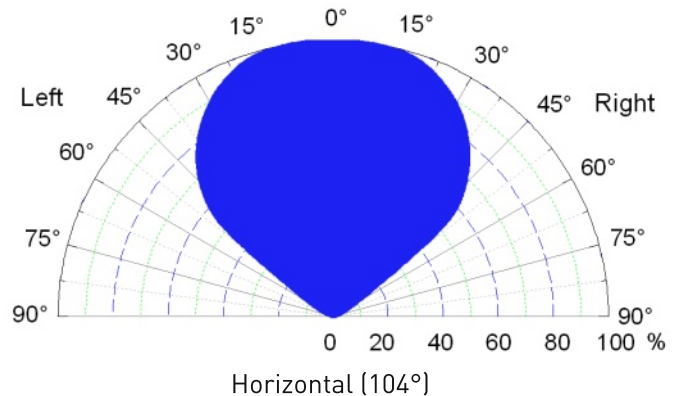
ATEX	Ex II 2 G Ex d II C T6 Gb (-40°C to +65°C) Certificate number: LCIE ** ATEX **** X
IECEX	IECEX LCI ** **** and ** ****
CE DPC	****-CPD-***** [EN 54-10 Standard]
SIL	SIL Approval without redundancy (LCIE)

ACCESSORIES

TLU600	Infrared remote control unit
LT15	Test lamp
AS045	Air shield
AS046	Mounting bracket
AS215	Tag plate
AS040	Long type visor (vertical angle restriction)
AS041	Long type visor (vertical and horizontal angle restriction)
AS008-400	Sunshade

OTHER PRODUCTS (STAINLESS STEEL RANGE)

DGI-TT7-E	MultiTox, Toxic (EC Cell) Gas Detector
DG-TT7-S	MultiTox, Solid-State (MOS) Gas Detector
DG-TX7	MultiXplo, Flammable Gas Detector



ProDetec Pty.Ltd.
P. +61 (02) 9620 8700
F. +61 (02) 9620 8755
E. info@prodetec.com.au
A. 17/38 Powers Rd,
Seven Hills NSW 2147
www.prodetec.com.au