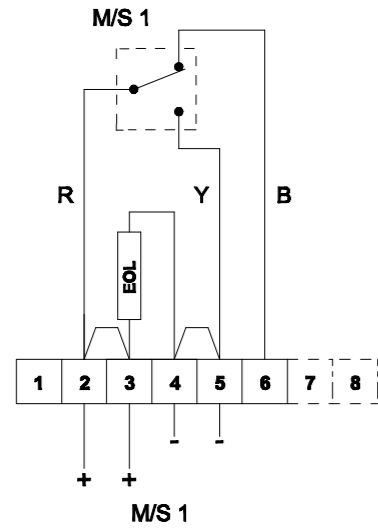
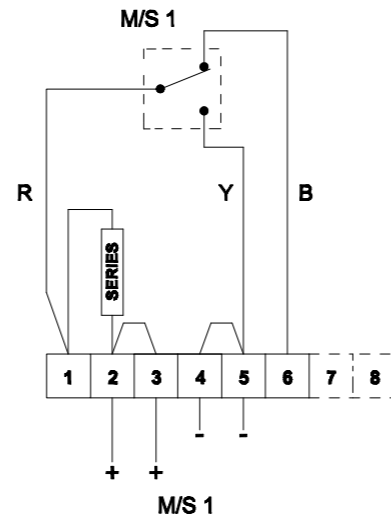


**Single Microswitch
EOL (End of Line) Device**



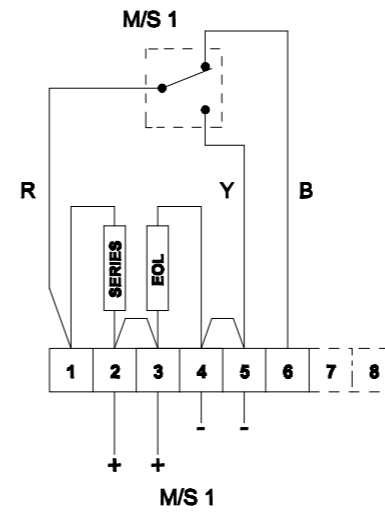
**1A - Circuit shown in Unoperated condition
(Glass Intact / Standby Condition)**
Terminals +(2,3) & -(4,5) open
Terminals +(2,3) & (6) closed

**Single Microswitch
Series Device**



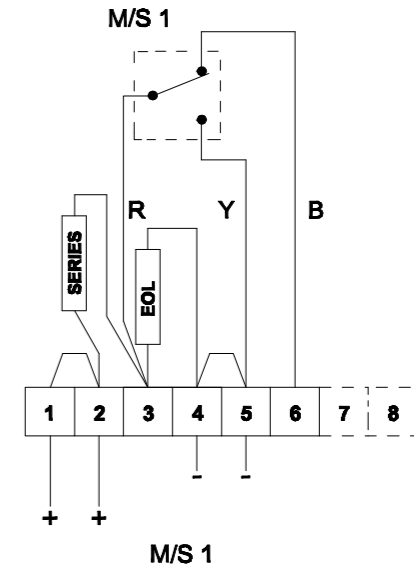
**2A - Circuit shown in Unoperated condition
(Glass Intact / Standby Condition)**
Terminals +(2,3) & -(4,5) open
Terminals +(2,3) & (6) closed

**Single Microswitch
EOL & Series Device**

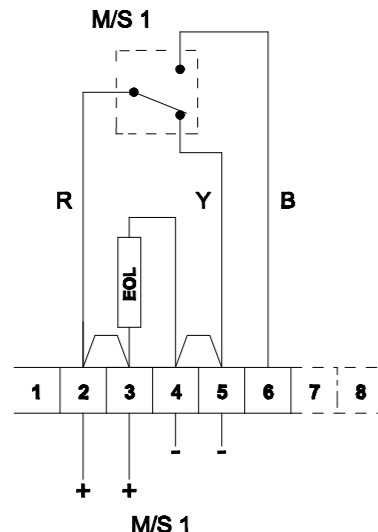


**3A - Circuit shown in Unoperated condition
(Glass Intact / Standby Condition)**
Terminals +(2,3) & -(4,5) open
Terminals +(2,3) & (6) closed

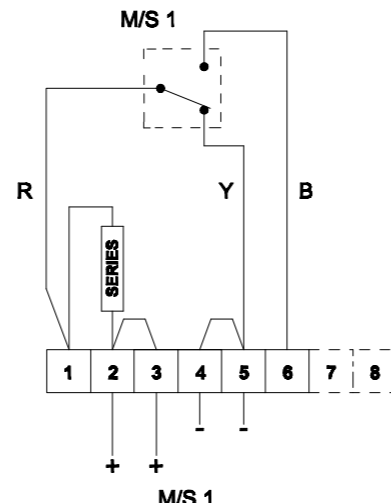
**Single Microswitch
EOL & Series Device
Wiring Option 2**



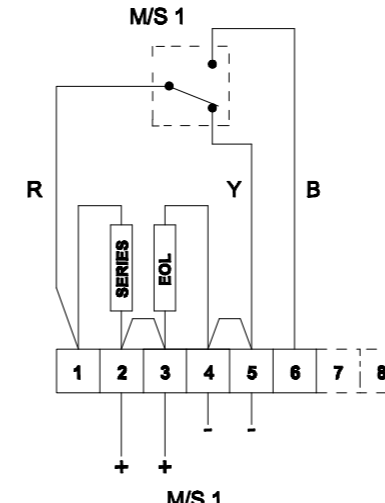
**4A - Circuit shown in Unoperated condition
(Glass Intact / Standby Condition)**
Terminals +(1,2) & -(4,5) M/S 1 open
Terminals +(1,2) & (6) M/S 1 closed



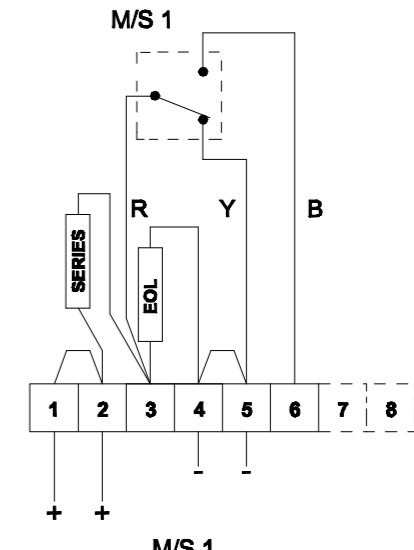
**1B - Circuit shown in Operated condition
(Glass Broken / Button pushed in)**
Terminals +(2,3) & -(4,5) closed
Terminals +(2,3) & (6) open



**2B - Circuit shown in Operated condition
(Glass Broken / Button pushed in)**
Terminals +(2,3) & -(4,5) closed
Terminals +(2,3) & (6) open



**3B - Circuit shown in Operated condition
(Glass Broken / Button pushed in)**
Terminals +(2,3) & -(4,5) closed
Terminals +(2,3) & (6) open



**4B - Circuit shown in Operated condition
(Glass Broken / Button pushed in)**
Terminals +(1,2) & -(4,5) M/S 1 closed
Terminals +(1,2) & (6) M/S 1 open

Note: Content is for general information only and is subject to change without notification.

THIS DRAWING IS CONFIDENTIAL AND COPYRIGHT PROPERTY OF THE MANUFACTURER AND MUST NOT BE COPIED OR LENT WITHOUT PERMISSION

Customer:
Project:
PO#
Reference:
Date:

Drawing: D150-06-051 **REV:** 01
Title: IS-CP4-PB Push Button Manual Call Point
BExCP3B/C/D-BG/PB/PT Manual Call Point Wiring
Schematic
DATE: 07/02/20 **DWG BY:** PRDCM



ProDetec Pty.Ltd.
P. +61 (02) 9620 8700
F. +61 (02) 9620 8755
E. info@prodetec.com.au
A. 17/38 Powers Rd,
Seven Hills NSW 2147
www.prodetec.com.au