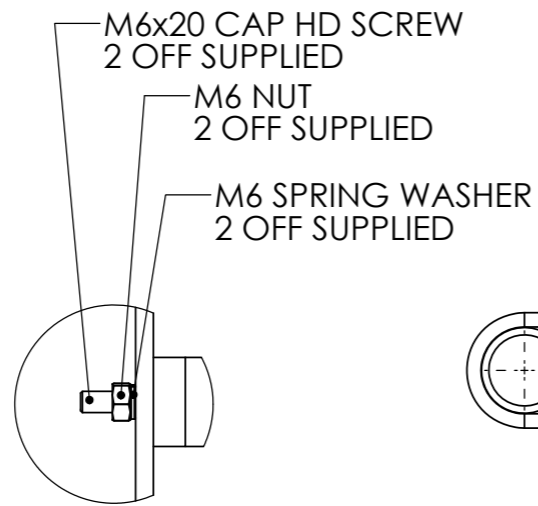
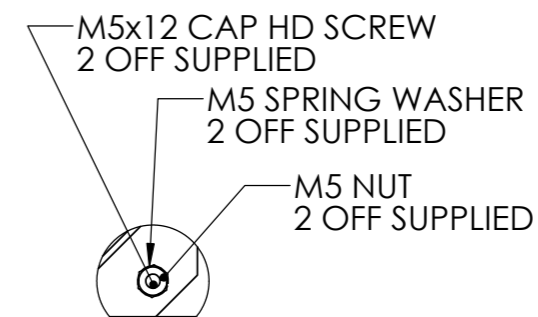
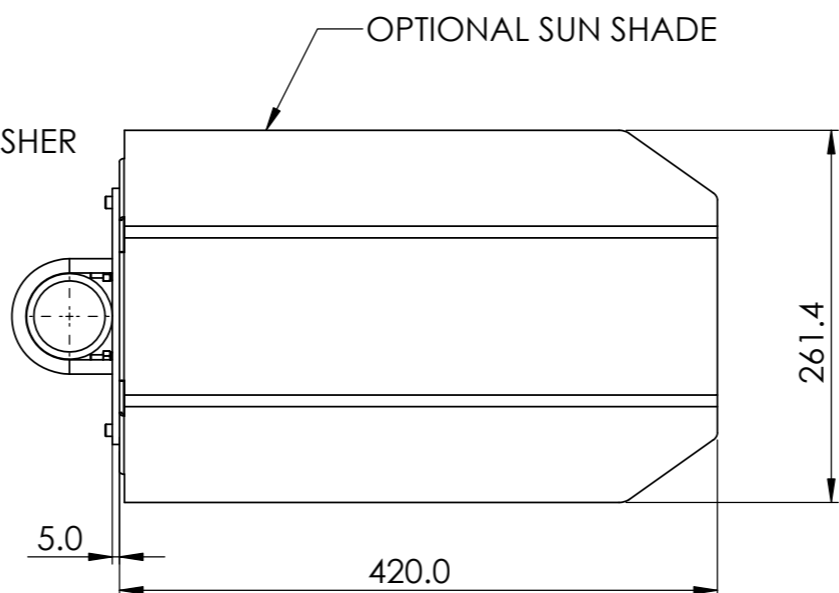


DETAIL A  
SCALE 1 : 2

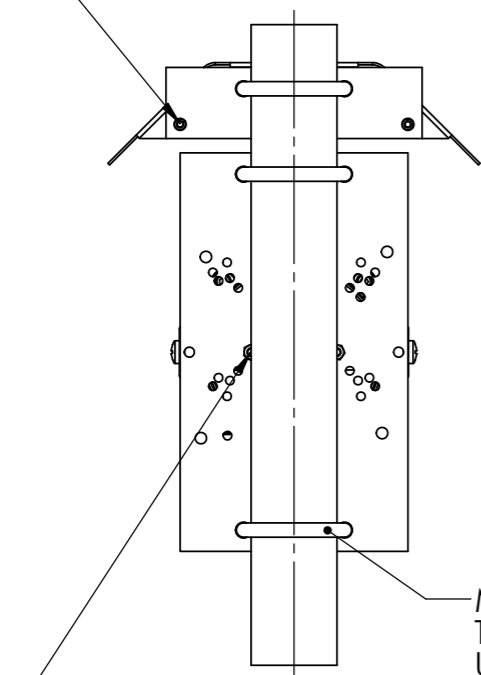


DETAIL B  
SCALE 1 : 2



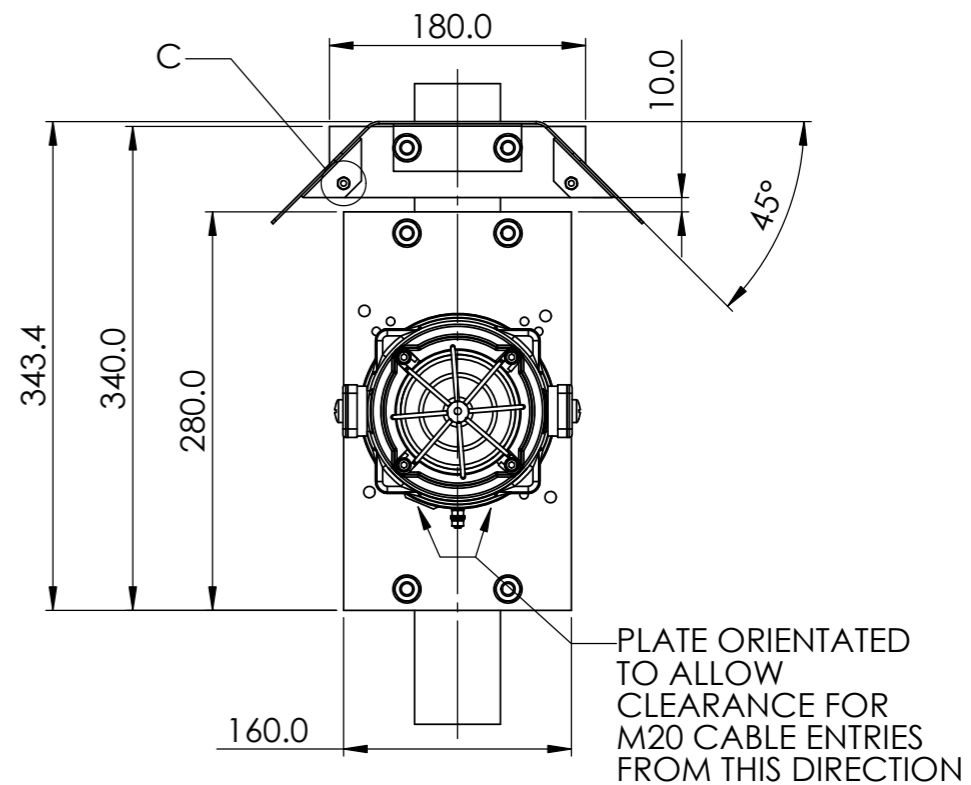
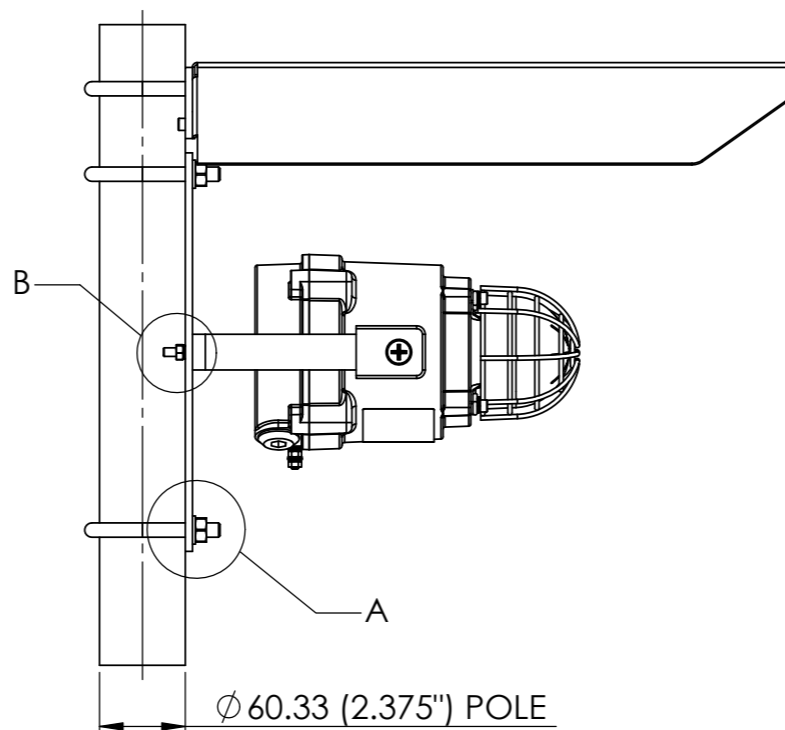
DETAIL C  
SCALE 1 : 2

SUN SHIELD TO BRACKET WITH M5x12 CAP HD SCREWS IN 2 POS'NS



MOUNT BEACON TO BRACKET WITH M6x20 CAP HD SCREWS IN 2 POS'NS

MOUNT BRACKETS TO POLE WITH U-BOLTS IN 3 POS'NS



Note: Content is for general information only and is subject to change without notification.

THIS DRAWING IS CONFIDENTIAL AND COPYRIGHT PROPERTY OF THE MANUFACTURER AND MUST NOT BE COPIED OR LENT WITHOUT PERMISSION

Customer:  
Project:  
PO#  
Reference:  
Date:

Drawing: D217-05-201 REV: 01  
Title: **BExTBG05 Explosion Proof Telephone Beacon 5 Joule DN 50mm (NPS 2'') Pole & Sun Screen BExBG Beacons**  
DATE: 24/11/17 DWG BY: PRDCM



ProDetec Pty.Ltd.  
P. +61 (02) 9620 8700  
F. +61 (02) 9620 8755  
E. info@prodetec.com.au  
A. 17/38 Powers Rd,  
Seven Hills NSW 2147  
www.prodetec.com.au