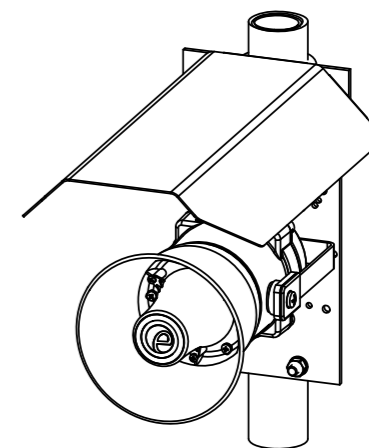
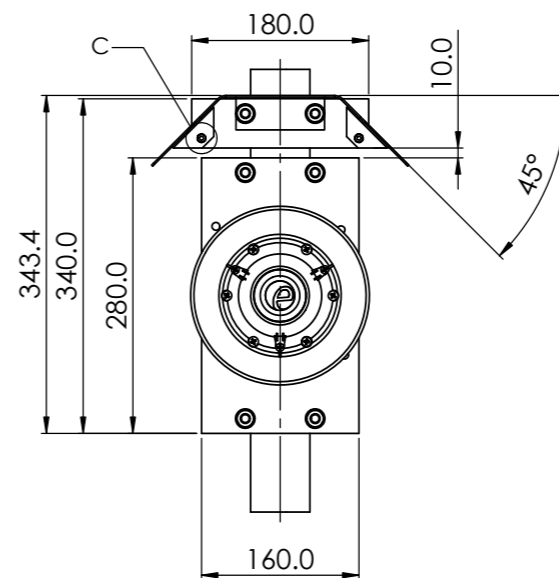
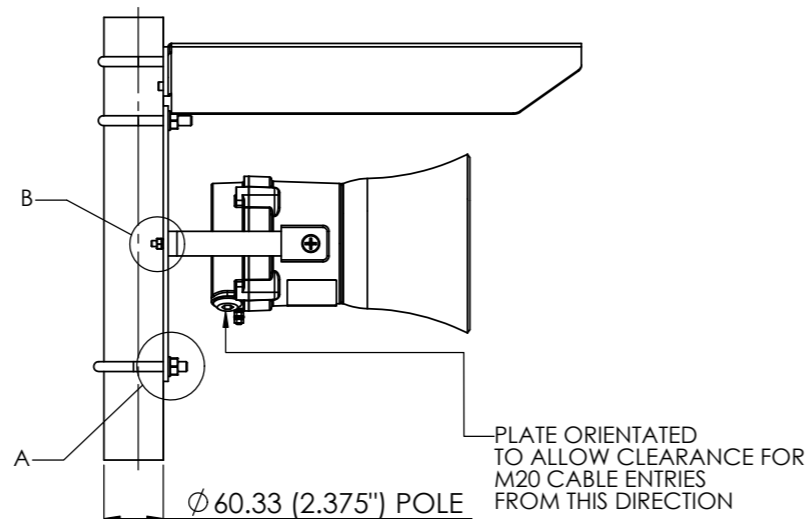
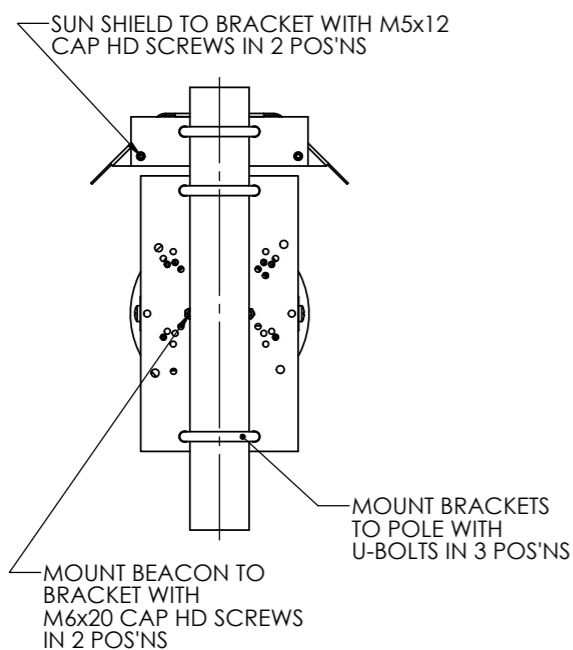
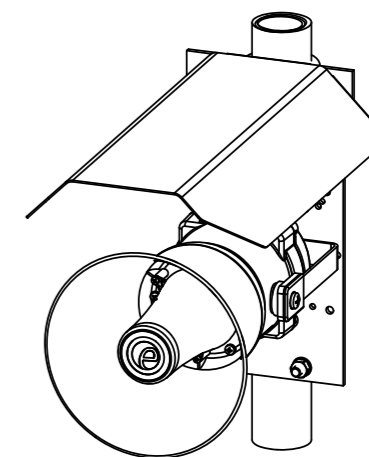
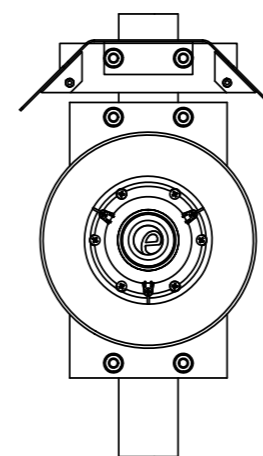
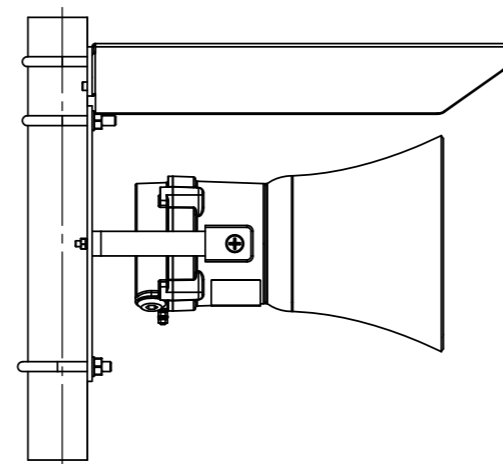
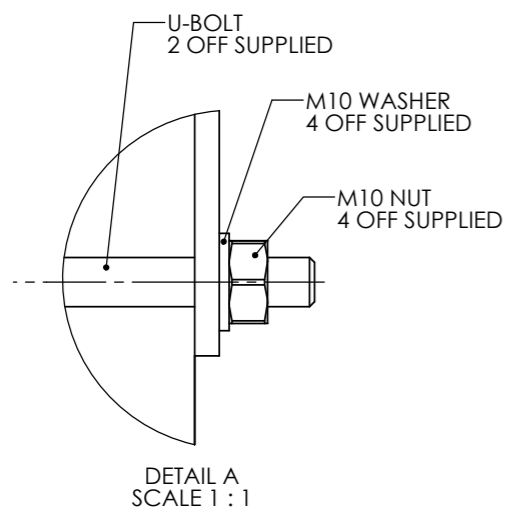


BExS110 SOUNDER / BExL15 LOUDSPEAKER



BExS120 SOUNDER / BExL25 LOUDSPEAKER



Note: Content is for general information only and is subject to change without notification.

THIS DRAWING IS CONFIDENTIAL AND COPYRIGHT PROPERTY OF THE MANUFACTURER AND MUST NOT BE COPIED OR LENT WITHOUT PERMISSION

Customer:
Project:
PO#
Reference:
Date:

Drawing: D217-05-001 **REV:** 01
Title: **BExL25 Explosion Proof PA Loudspeaker 25W**
DN 50mm (NPS 2") Pole & Sun Screen BExS Horns
& BExL Speakers
DATE: 03/01/18 **DWG BY:** PRDCM



ProDetec Pty.Ltd.
P. +61 (02) 9620 8700
F. +61 (02) 9620 8755
E. info@prodetec.com.au
A. 17/38 Powers Rd,
Seven Hills NSW 2147
www.prodetec.com.au