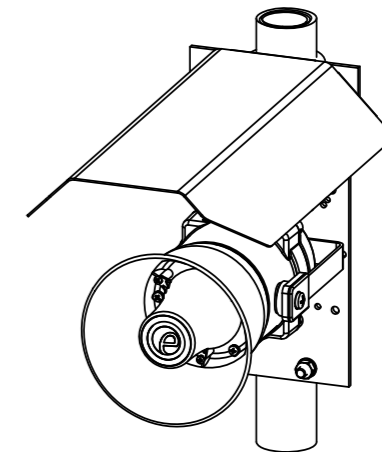
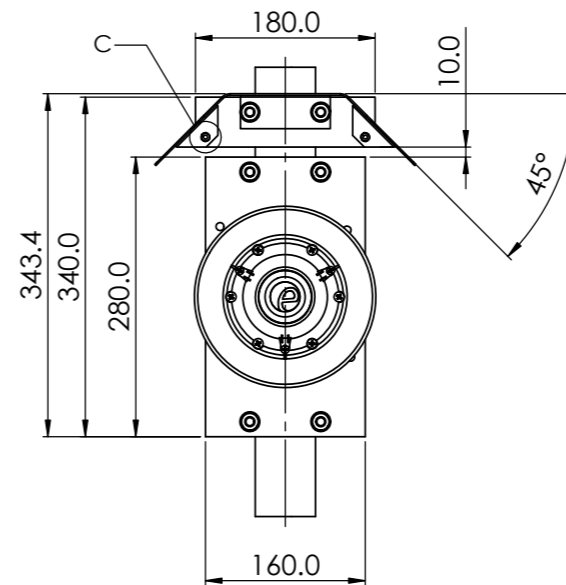
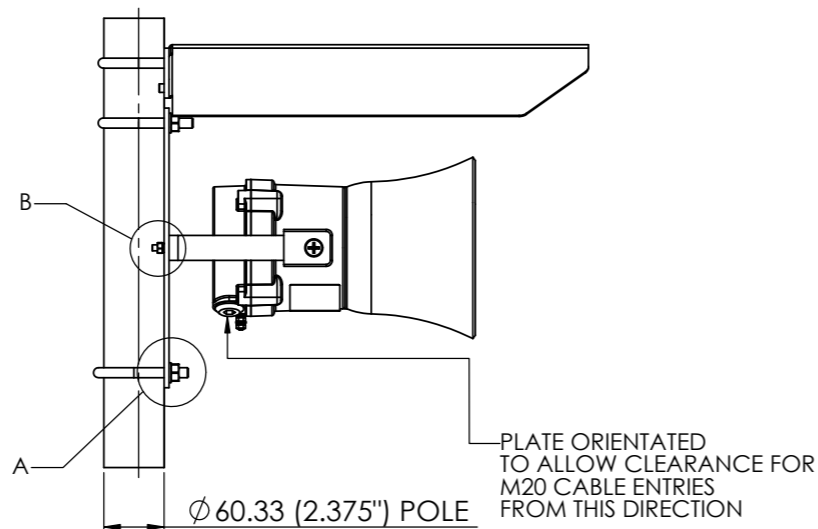
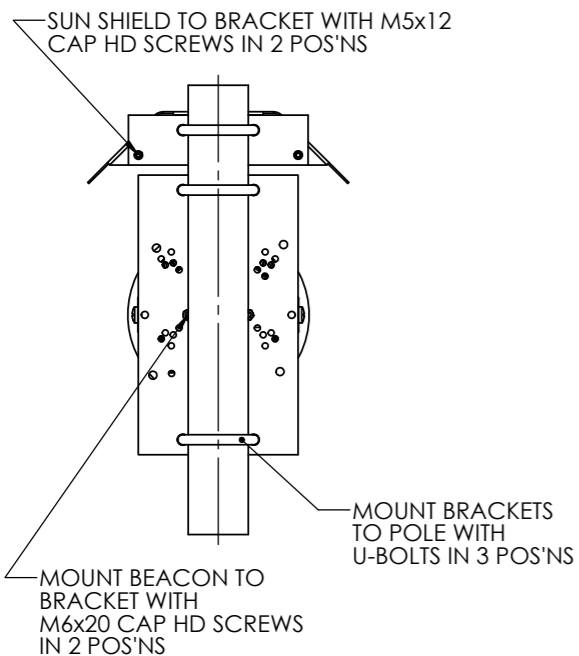
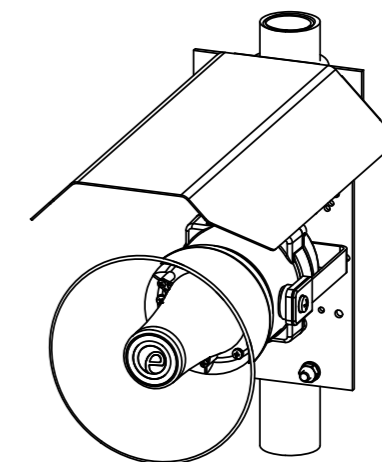
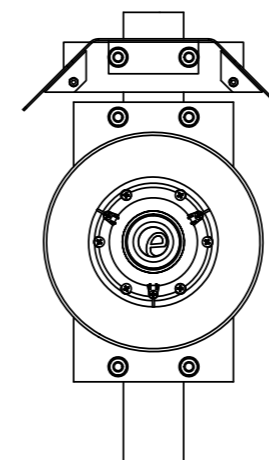
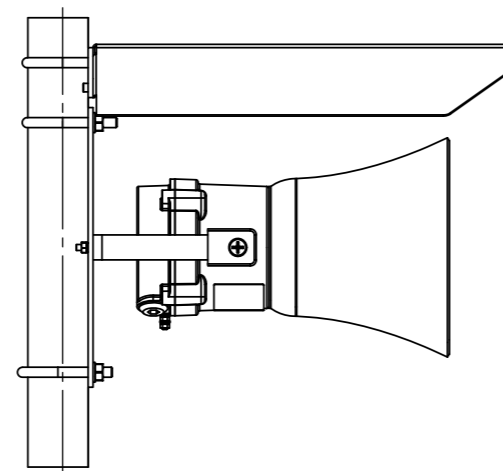
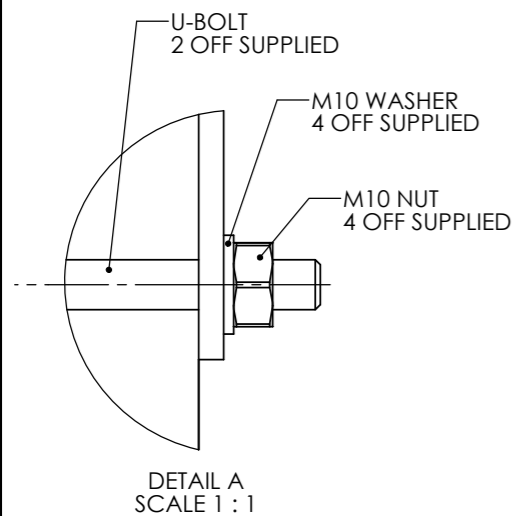


**BExS110 SOUNDER / BExL15 LOUDSPEAKER**




**BExS120 SOUNDER / BExL25 LOUDSPEAKER**



Note: Content is for general information only and is subject to change without notification.

THIS DRAWING IS CONFIDENTIAL AND COPYRIGHT PROPERTY OF THE MANUFACTURER AND MUST NOT BE COPIED OR LENT WITHOUT PERMISSION

<b>Customer:</b> <b>Project:</b> <b>PO#</b> <b>Reference:</b> <b>Date:</b>	<b>Drawing:</b> D217-05-001 <b>REV:</b> 01	 Measure . Prevent . Protect . Control	<b>ProDetec Pty.Ltd.</b> P. +61 (02) 9620 8700 F. +61 (02) 9620 8755 E. info@prodetec.com.au A. 17/38 Powers Rd, Seven Hills NSW 2147 www.prodetec.com.au
	<b>Title:</b> <b>BExL15 Explosion Proof PA Loudspeaker 15W</b> <b>DN 50mm (NPS 2") Pole &amp; Sun Screen BExS Horns</b> <b>&amp; BExL Speakers</b>		