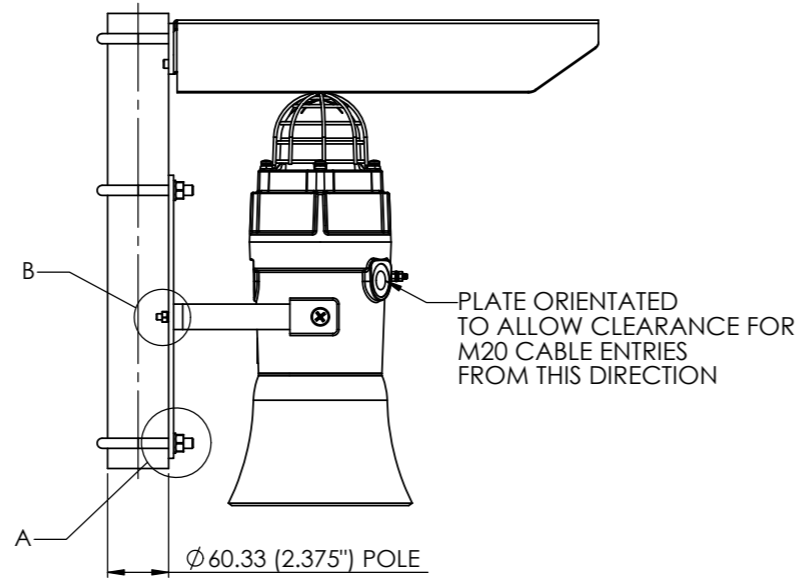
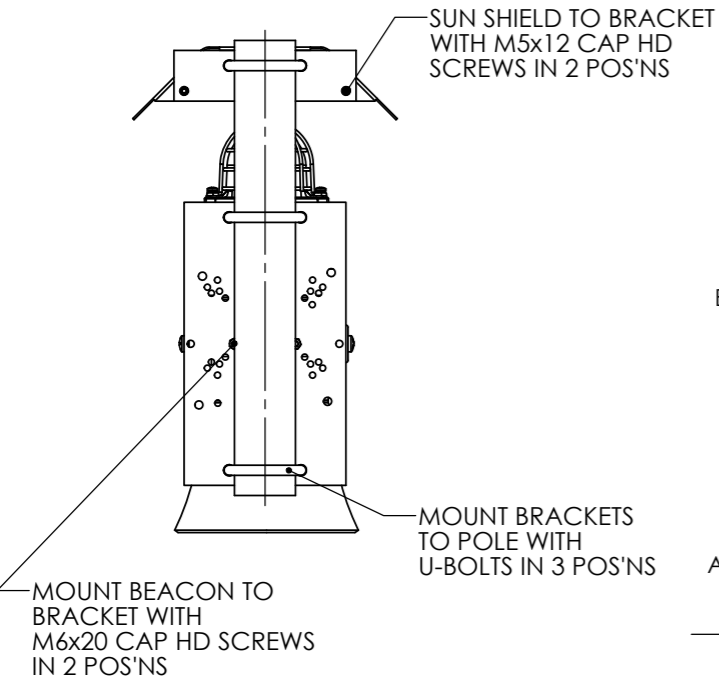
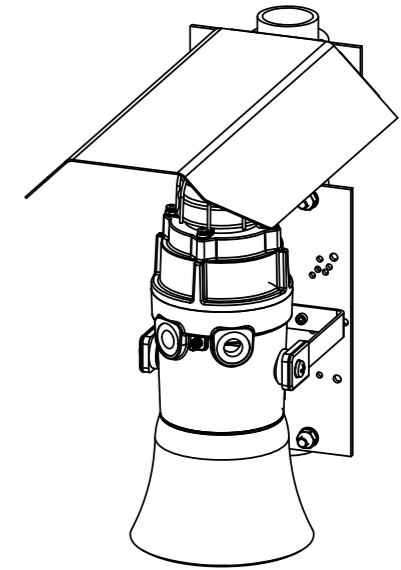
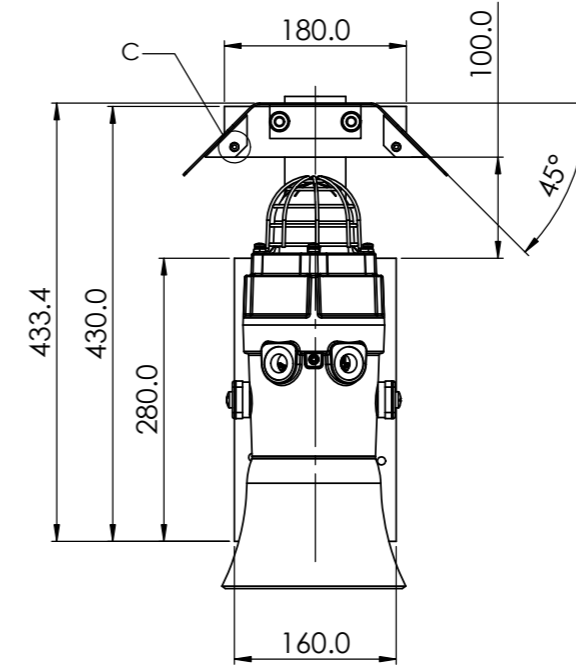
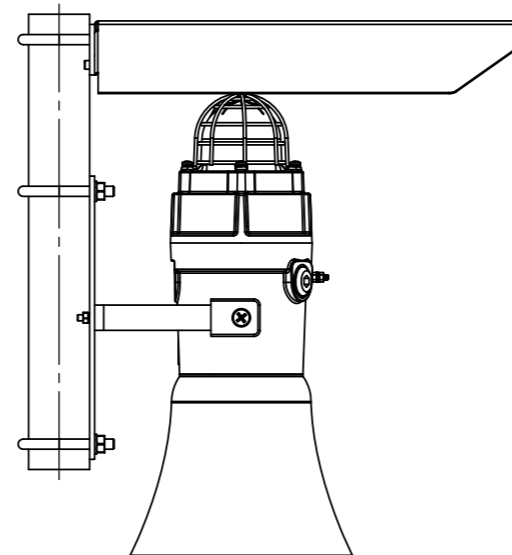
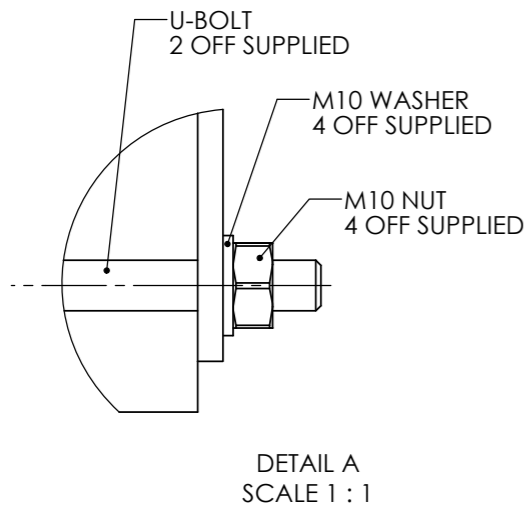
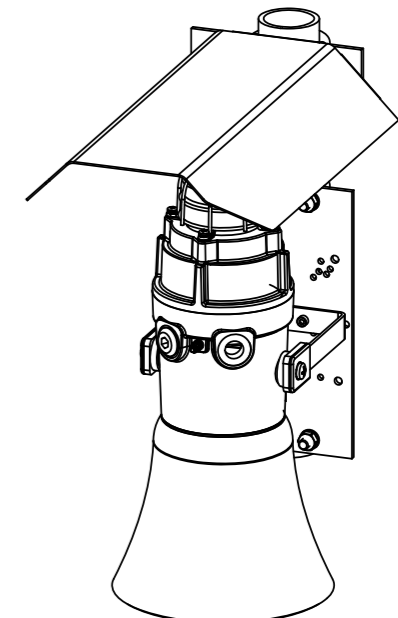
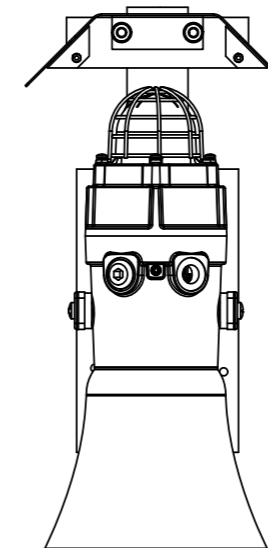


D1xC1 COMBINED SOUNDER BEACON



D1xC2 COMBINED SOUNDER BEACON



Note: Content is for general information only and is subject to change without notification.

THIS DRAWING IS CONFIDENTIAL AND COPYRIGHT PROPERTY OF THE MANUFACTURER AND MUST NOT BE COPIED OR LENT WITHOUT PERMISSION

Customer:
Project:
PO#
Reference:
Date:

Drawing: D217-05-661 **REV:** 01
Title: **D1xC1X05R Radial Alarm Horn & Xenon Strobe**
DN 50mm (NPS 2") Pole & Sun Screen D1xC1/D1xC2
Combined Horn & Beacon
DATE: 08/01/18 **DWG BY:** PRDCM



ProDetec Pty.Ltd.
P. +61 (02) 9620 8700
F. +61 (02) 9620 8755
E. info@prodetec.com.au
A. 17/38 Powers Rd,
Seven Hills NSW 2147
www.prodetec.com.au