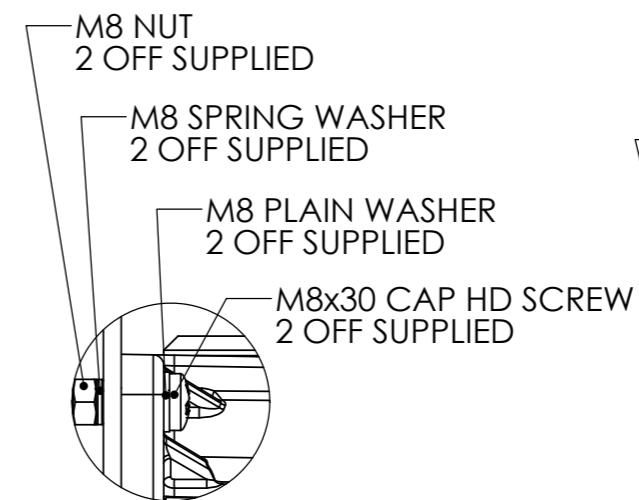
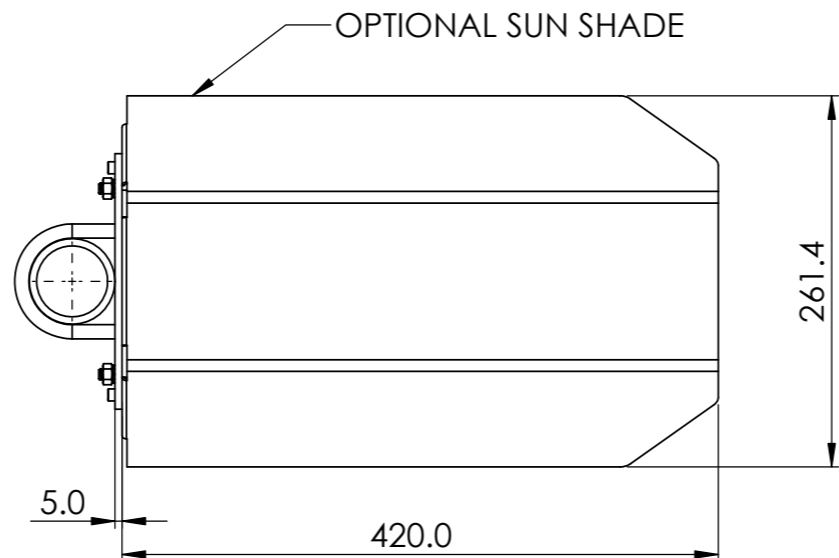
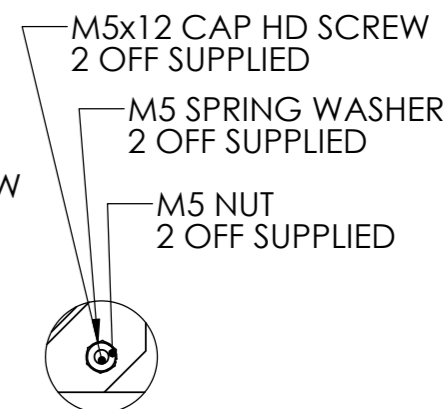


DETAIL A
SCALE 1 : 2

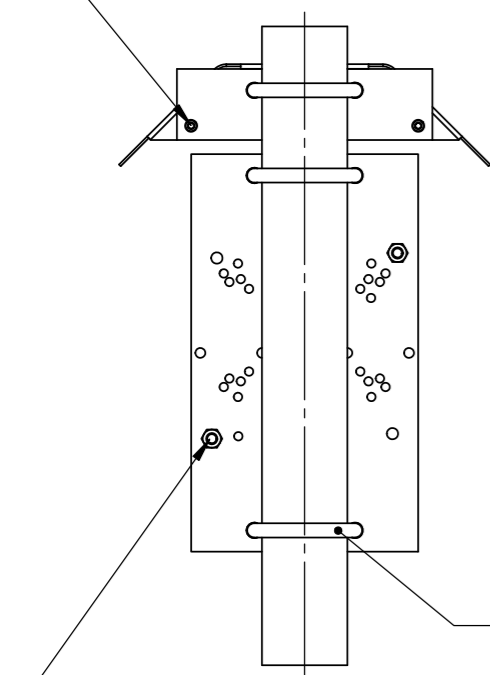


DETAIL B
SCALE 1 : 2

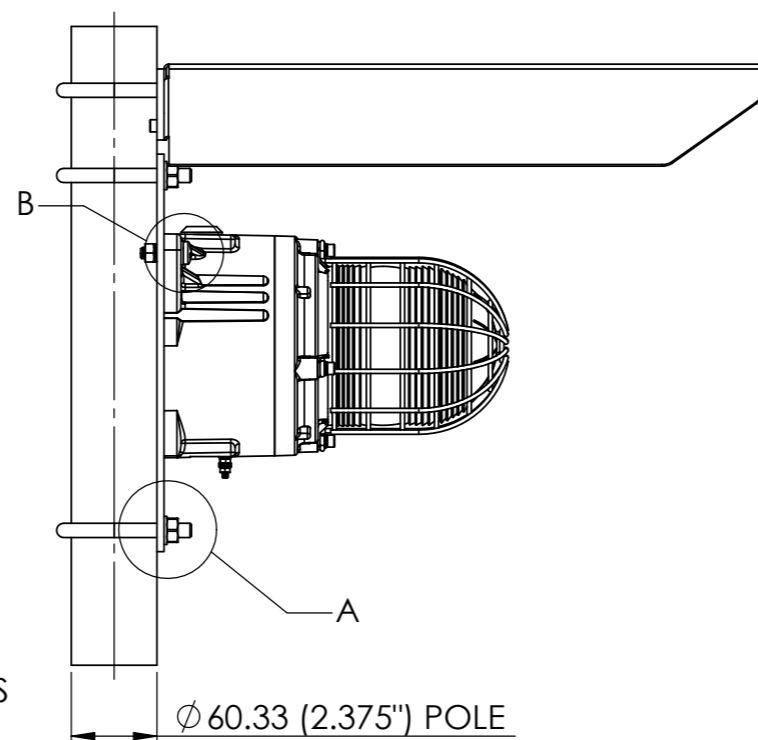


DETAIL C
SCALE 1 : 2

SUN SHIELD TO BRACKET WITH M5x12 CAP HD SCREWS IN 2 POS'NS



MOUNT BRACKETS TO POLE WITH U-BOLTS IN 3 POS'NS



Ø 60.33 (2.375") POLE

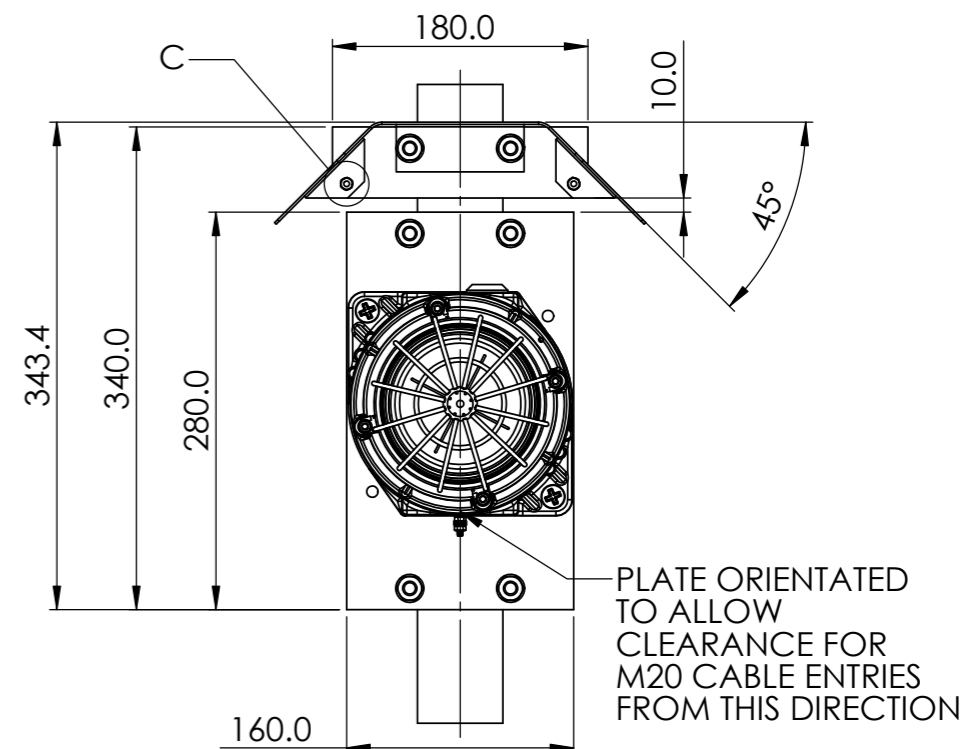


PLATE ORIENTATED TO ALLOW CLEARANCE FOR M20 CABLE ENTRIES FROM THIS DIRECTION

Note: Content is for general information only and is subject to change without notification.

THIS DRAWING IS CONFIDENTIAL AND COPYRIGHT PROPERTY OF THE MANUFACTURER AND MUST NOT BE COPIED OR LENT WITHOUT PERMISSION

Customer:
Project:
PO#
Reference:
Date:

Drawing: D217-05-231 REV: 01
Title: **GNExB2X10 Xenon Strobe Beacon**
DN 50mm (NPS 2") Pole & Sun Screen GNExB2 Beacons
DATE: 05/01/18 DWG BY: PRDCM



ProDetec Pty.Ltd.
P. +61 (02) 9620 8700
F. +61 (02) 9620 8755
E. info@prodetec.com.au
A. 17/38 Powers Rd,
Seven Hills NSW 2147
www.prodetec.com.au