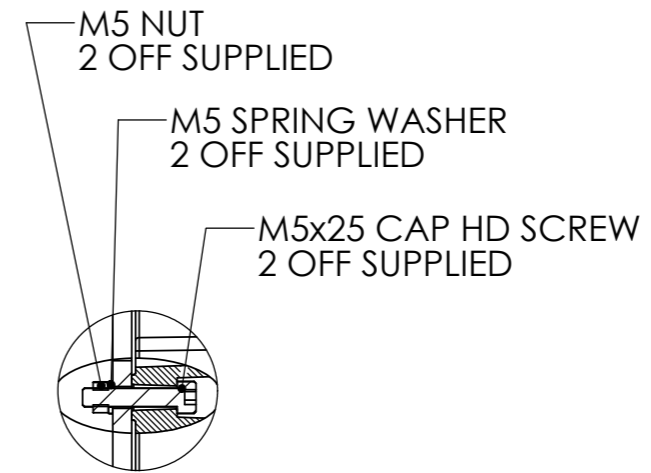
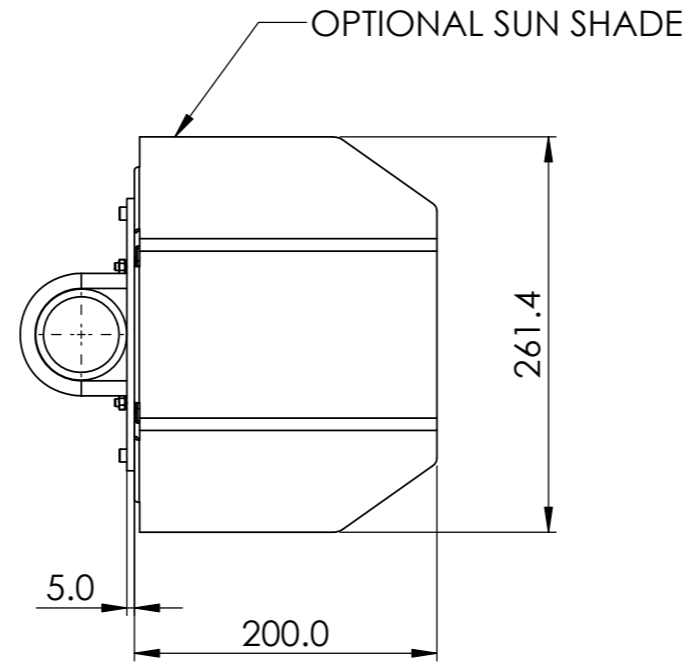
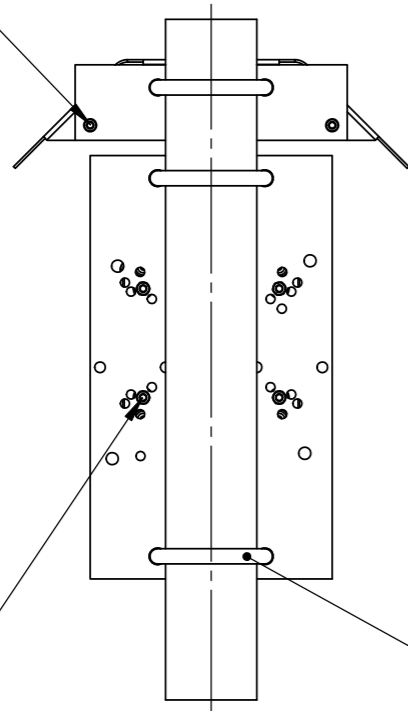


DETAIL A
SCALE 1 : 2



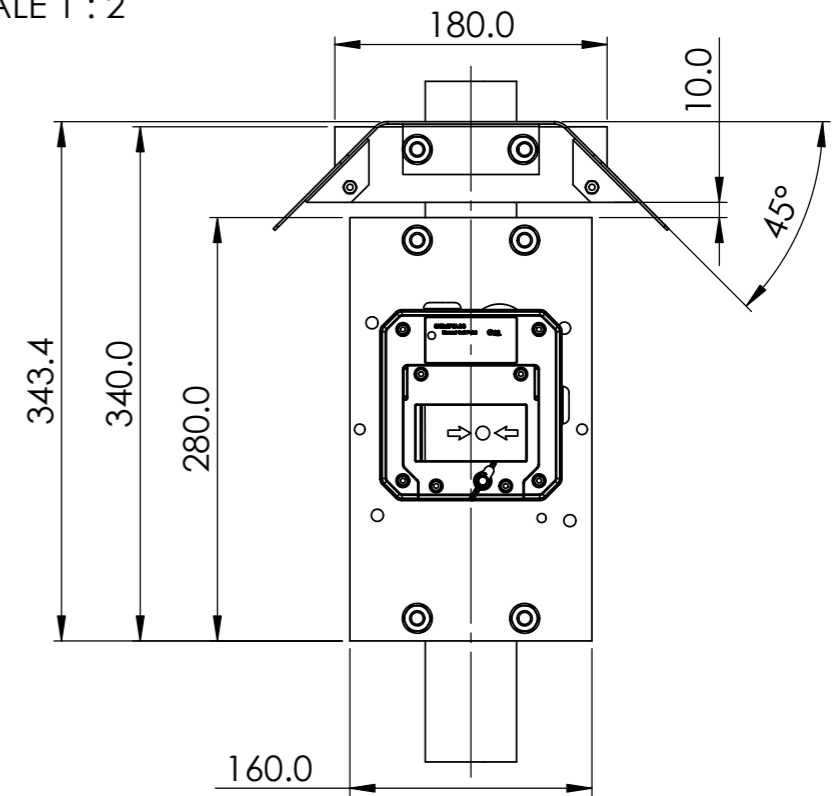
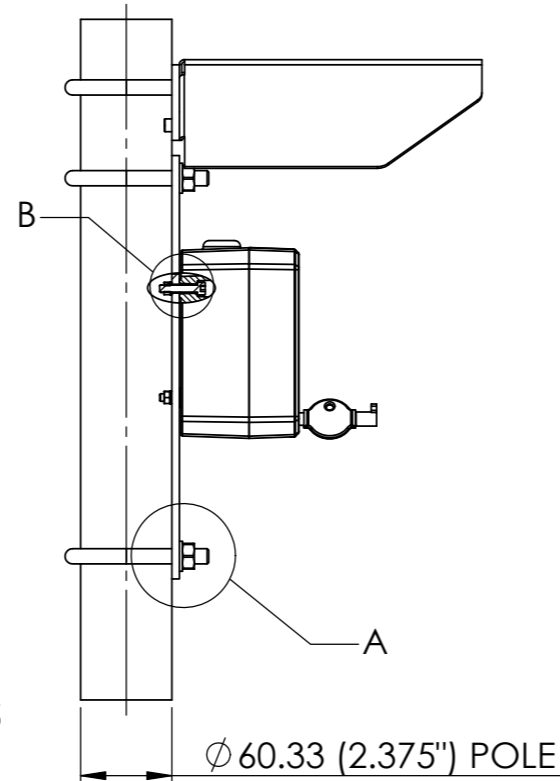
DETAIL B
SCALE 1 : 2

SUN SHIELD TO BRACKET WITH M5x12
CAP HD SCREWS IN 2 POS'NS



MOUNT BRACKETS
TO POLE WITH
U-BOLTS IN 3 POS'NS

MOUNT BEACON TO
BRACKET WITH
M5x25 CAP HD SCREWS
IN 4 POS'NS



Note: Content is for general information only and is subject to change without notification.

THIS DRAWING IS CONFIDENTIAL AND COPYRIGHT PROPERTY OF THE MANUFACTURER AND MUST NOT BE COPIED OR LENT WITHOUT PERMISSION

Customer:	Drawing: D217-05-321	REV: 01
Project:	Title: GNECP6-PB Push Button Manual Call Point	
PO#	DN 50mm (NPS 2") Pole & Sun Screen GNECP6 Call Points	
Reference:	DATE: 05/01/18	DWG BY: PRDCM



ProDetec Pty.Ltd.
P. +61 (02) 9620 8700
F. +61 (02) 9620 8755
E. info@prodetec.com.au
A. 17/38 Powers Rd,
Seven Hills NSW 2147
www.prodetec.com.au