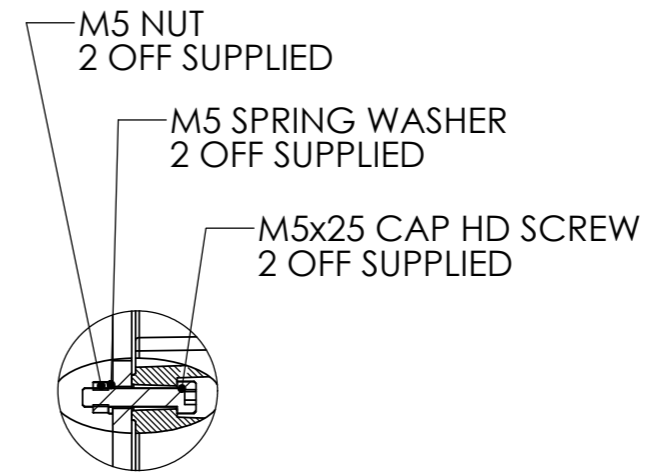
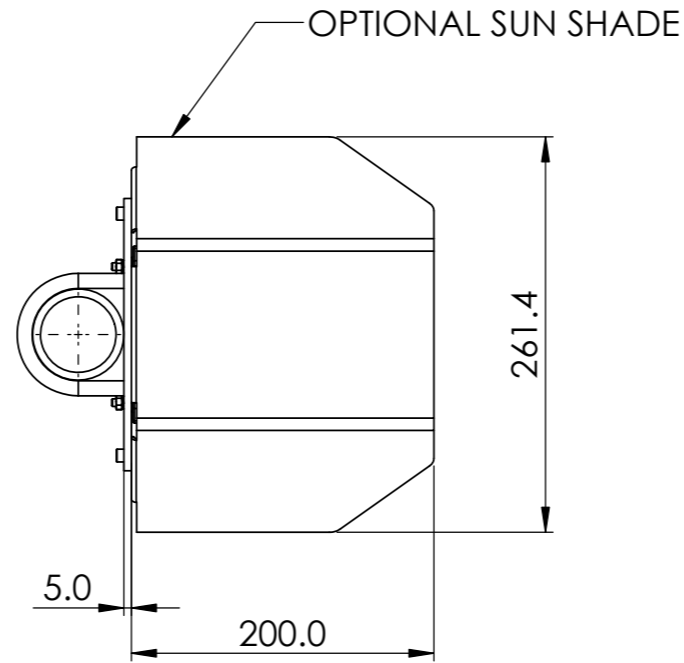
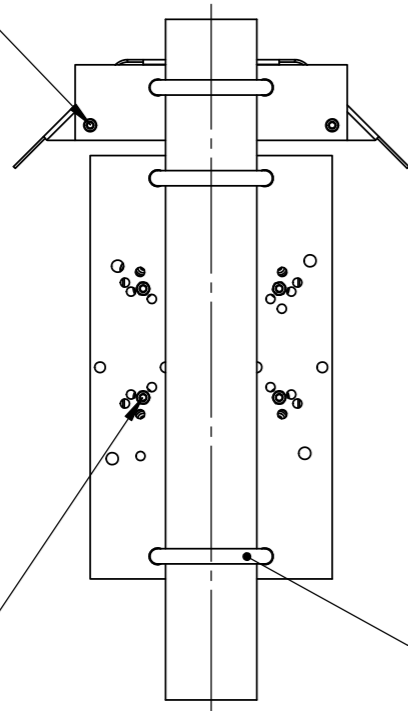


DETAIL A  
SCALE 1 : 2



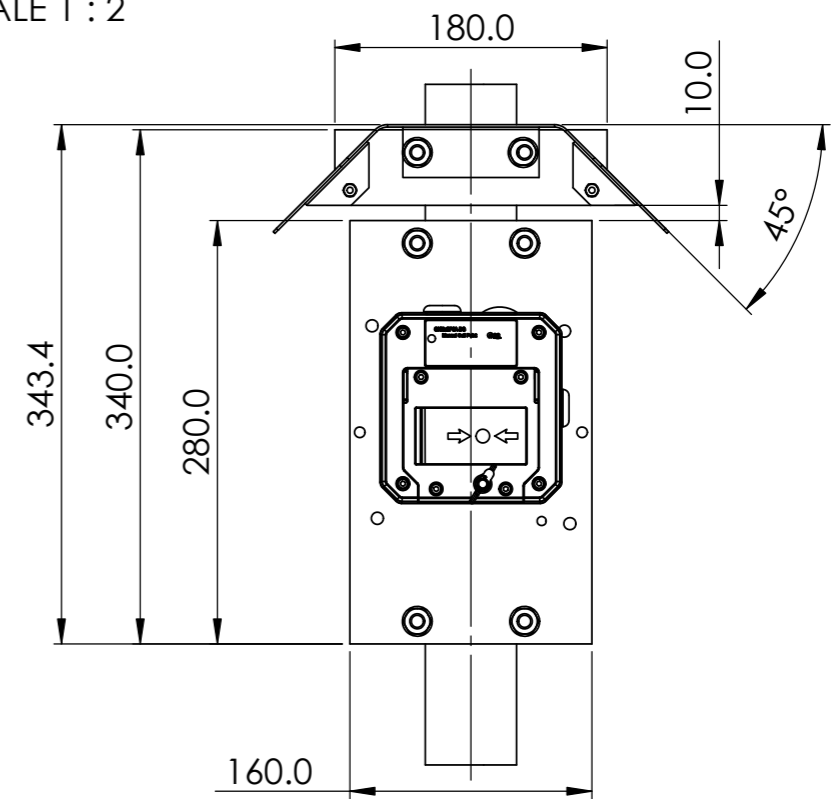
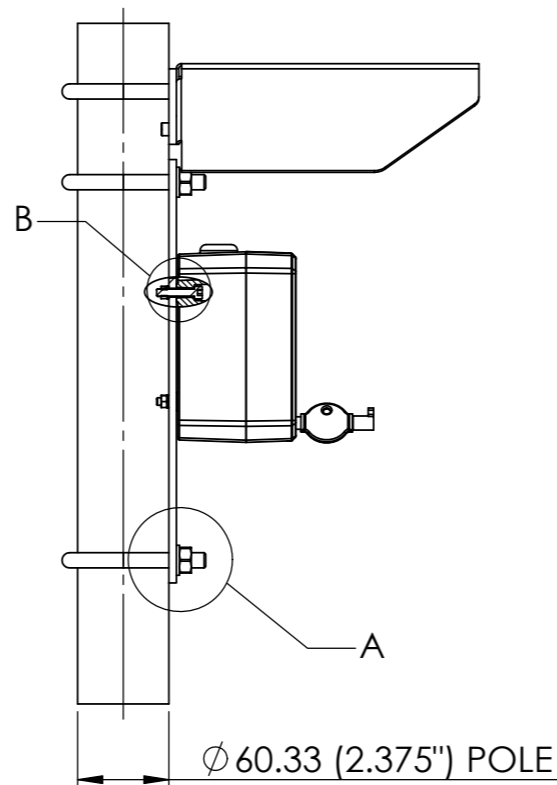
DETAIL B  
SCALE 1 : 2

SUN SHIELD TO BRACKET WITH M5x12  
CAP HD SCREWS IN 2 POS'NS



MOUNT BRACKETS  
TO POLE WITH  
U-BOLTS IN 3 POS'NS

MOUNT BEACON TO  
BRACKET WITH  
M5x25 CAP HD SCREWS  
IN 4 POS'NS



Note: Content is for general information only and is subject to change without notification.

THIS DRAWING IS CONFIDENTIAL AND COPYRIGHT PROPERTY OF THE MANUFACTURER AND MUST NOT BE COPIED OR LENT WITHOUT PERMISSION

<b>Customer:</b>	<b>Drawing:</b> D217-05-321	<b>REV:</b> 01
<b>Project:</b>	<b>Title:</b> <b>GNEXP6-PT Push Button Tool Reset Call Point</b>	
<b>PO#</b>	<b>DN 50mm (NPS 2") Pole &amp; Sun Screen GNEXP6</b>	
<b>Reference:</b>	<b>Call Points</b>	
<b>Date:</b>	<b>DATE:</b> 05/01/18	<b>DWG BY:</b> PRDCM



ProDetec Pty.Ltd.  
P. +61 (02) 9620 8700  
F. +61 (02) 9620 8755  
E. info@prodetec.com.au  
A. 17/38 Powers Rd,  
Seven Hills NSW 2147  
www.prodetec.com.au