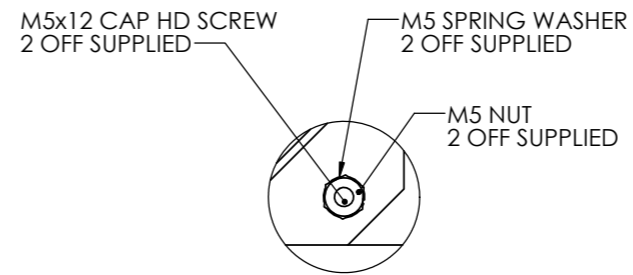
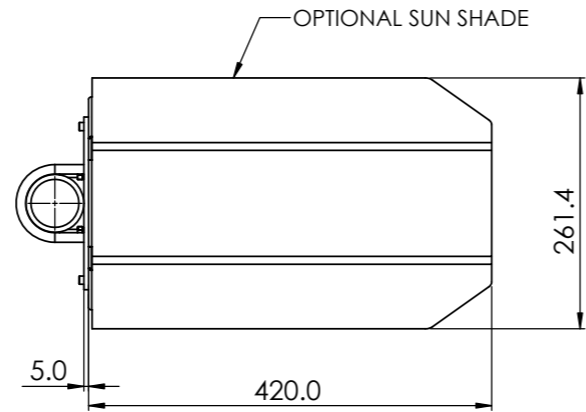
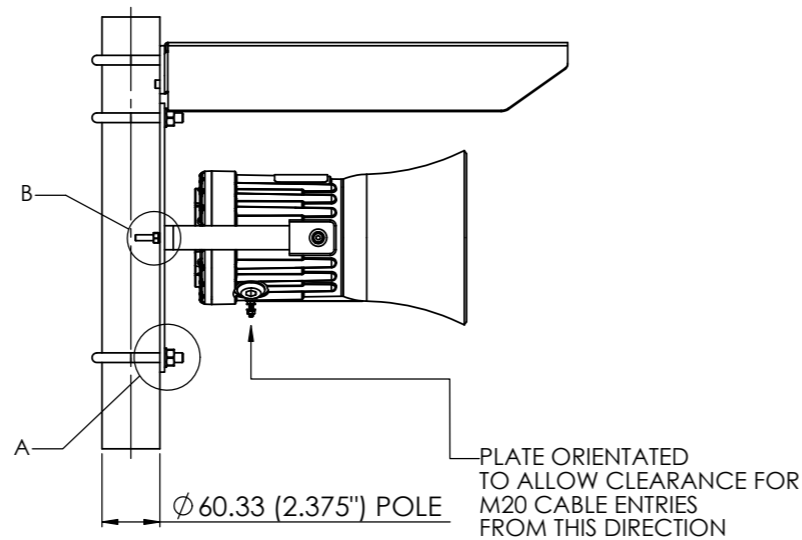
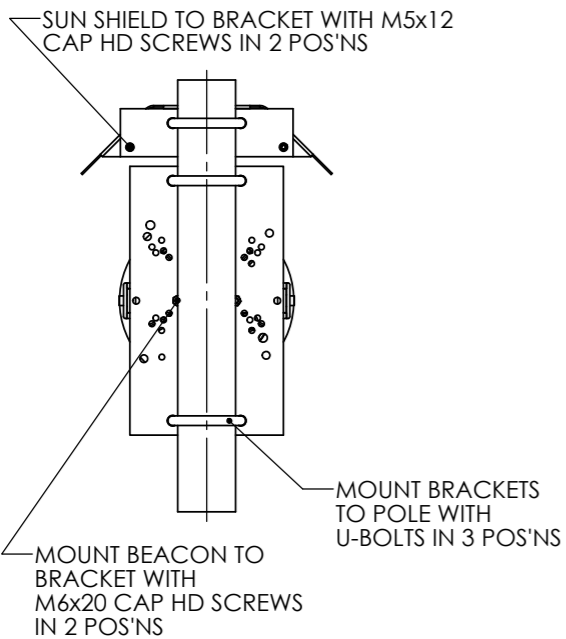


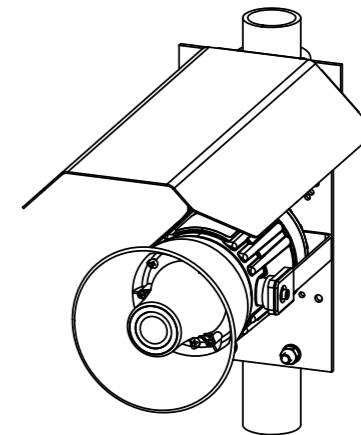
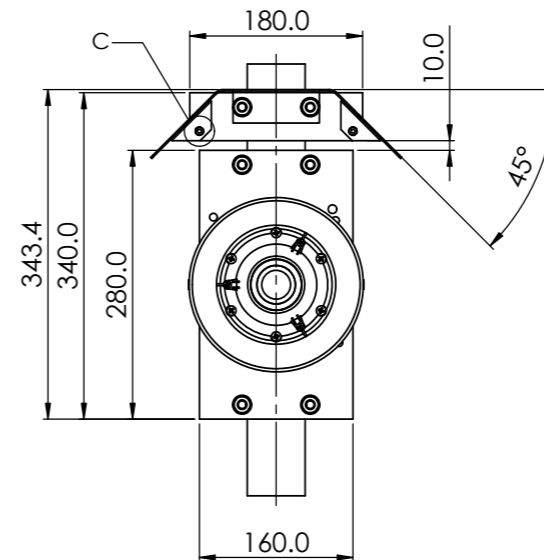
DETAIL B  
SCALE 1 : 1



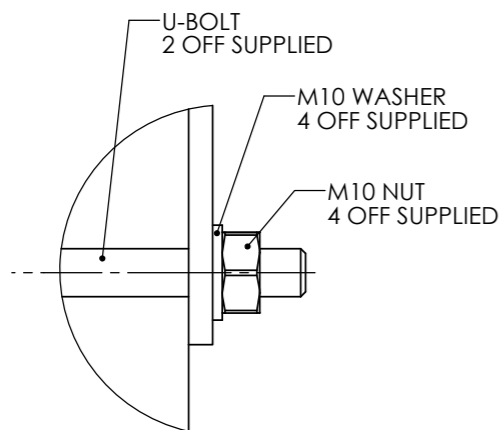
DETAIL C  
SCALE 1 : 1



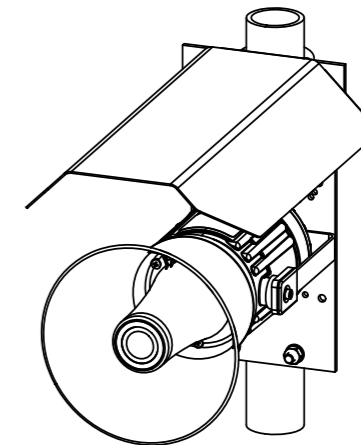
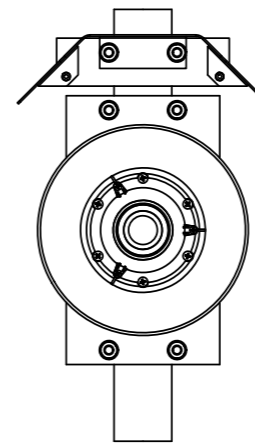
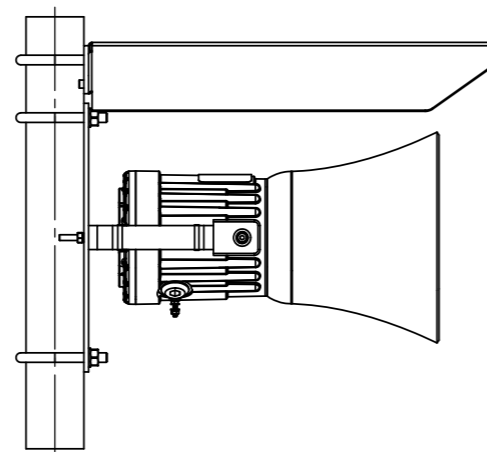
**GNExS1 SOUNDER / GNExL1 LOUDSPEAKER**



**GNExS2 SOUNDER / GNExL2 LOUDSPEAKER**



DETAIL A  
SCALE 1 : 1



Note: Content is for general information only and is subject to change without notification.

THIS DRAWING IS CONFIDENTIAL AND COPYRIGHT PROPERTY OF THE MANUFACTURER AND MUST NOT BE COPIED OR LENT WITHOUT PERMISSION

**Customer:**  
**Project:**  
**PO#**  
**Reference:**  
**Date:**

**Drawing:** D217-05-021      **REV:** 01  
**Title:** **GNExL2 PA Loudspeaker 25W**  
**DN 50mm (NPS 2") Pole & Sun Screen GNExS**  
**Horns & GNExL Speakers**  
**DATE:** 03/01/18      **DWG BY:** PRDCM



**ProDetec Pty.Ltd.**  
P. +61 (02) 9620 8700  
F. +61 (02) 9620 8755  
E. info@prodetec.com.au  
A. 17/38 Powers Rd,  
Seven Hills NSW 2147  
[www.prodetec.com.au](http://www.prodetec.com.au)