

# MCBLD2LD2 Dual LED Beacon & Status Light

The MCBLD2LD2 is a dual LED beacon and status light featuring a robust, fire retardant, IP66 & IP67 enclosure. The two light sources can be connected to operate from the same power source or individually.

The 'M' series of products have been designed to withstand the harshest of environments. Constructed from lightweight, impact and fire resistant ABS, the range features stainless steel, ratchet adjustable mounting brackets and has been third party tested to IP66/67.

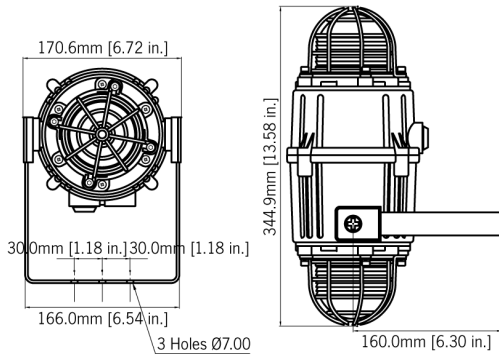
## Features

- Continuously rated.
- Large termination area.
- Stainless steel fixings.
- Ratchet adjustable stainless steel 'U' bracket for 360° positioning.
- Duplicate cable terminations (in & out for daisy-chain installations).
- Field replaceable UV stable coloured lens filters.
- Tropicalisation available on request.
- Dual arrays of 4 x high power Cree® LED's
- Modes: 1Hz flash (60 fpm)  
1.5Hz flash (90 fpm)  
2Hz flash (120 fpm)  
Double strike flash  
Triple strike flash  
High Power Steady  
Low Power Steady
- LED eff. Intensity: 87 cd x 2 - High Power Steady
- LED eff. Intensity: 160 cd x 2 - 1Hz flash
- Ingress protection: IP66/67 Type 4/4X/13

## Approvals

- EAC compliant: POCC GB.JB05.H00144.
- Russian Maritime Register





## Specification

Source:	Dual array of 4 x High Power Cree® LED's
Modes:	1Hz flash (60 fpm) 1.5Hz flash (90 fpm) 2Hz flash (120 fpm) Double strike flash Triple strike flash High Power Steady Low Power Steady
Eff. Intensity cd:	2 × 87 cd* - High Power Steady
Eff. Intensity cd:	2 × 160 cd* - 1Hz flash
LED life:	60,000 hours
Lens colours:	Amber, Blue, Clear, Green, Magenta, Red & Yellow
Voltages DC:	24vdc
Voltages AC:	115vac; 230vac
Ingress protection:	IP66/67 Type 4/4X/13
Enclosure material:	High impact UL94 V0 & 5VA FR ABS
Colour:	Grey (RAL7038)
Lens material:	Borosilicate glass dome with PC prismatic lens cover.
Guard:	Stainless Steel dome guard as standard
Cable entries:	Dual M20x1.5 or 1/2"NPT
Terminals:	0.5 - 2.5mm <sup>2</sup> (20-14 AWG)
Line monitoring:	Blocking diode included EOL can be factory fitted
Operating temp:	-25 to +55°C [-13 to +131°F]
Storage temp:	-40 to +70°C [-40 to +158°F]
Relative humidity:	90% at 20°C [68°F]
Weight:	4.84kg/10.67lbs
*Candela measurements representative of performance with clear lens at optimum voltage.	

## Part Codes

Part Code:	Ident.:	Description:
Product type:	MCBLD2LD2	Dual LED Beacon
Voltage:	AC115 AC230 DC024	115V ac 50/60Hz 230V ac 50/60Hz 24V dc (18-54Vdc)
Cable entries: [e]	A B C	M20x1.5 & ½" NPT M20x1.5 & M20x1.5 ½" NPT & ½" NPT
Stopping plug material: [m]	N	Nylon
Bracket & Guard: [s]	1 2	304 (A2) Stainless Steel 316 (A4) Stainless Steel
Version: [v]	A1	CE, EAC & Russian Maritime
Enclosure: [x]	G R	Grey (RAL7038) Red (RAL3000)
Lens colour 1: [y]	A, B, C G, M, R Y	Amber, Blue, Clear Green, Magenta, Red Yellow
Lens colour 2: [y]	A, B, C G, M, R Y	Amber, Blue, Clear Green, Magenta, Red Yellow

## Current Consumption

Version:	Voltage:	Steady High Power Current per beacon:	Steady Low Power Current per beacon:	Flashing 1Hz Current per beacon:
24V dc	18-54V dc	240mA	134mA	110mA
115V ac	103.5-126.5V ac 50/60Hz	95mA	78mA	90mA
230V ac	207-253V ac 50/60Hz	48mA	37mA	45mA



**ProDetec Pty.Ltd.**  
P. +61 (02) 9620 8700  
F. +61 (02) 9620 8755  
E. info@prodetec.com.au  
A. 17/38 Powers Rd,  
Seven Hills NSW 2147  
www.prodetec.com.au