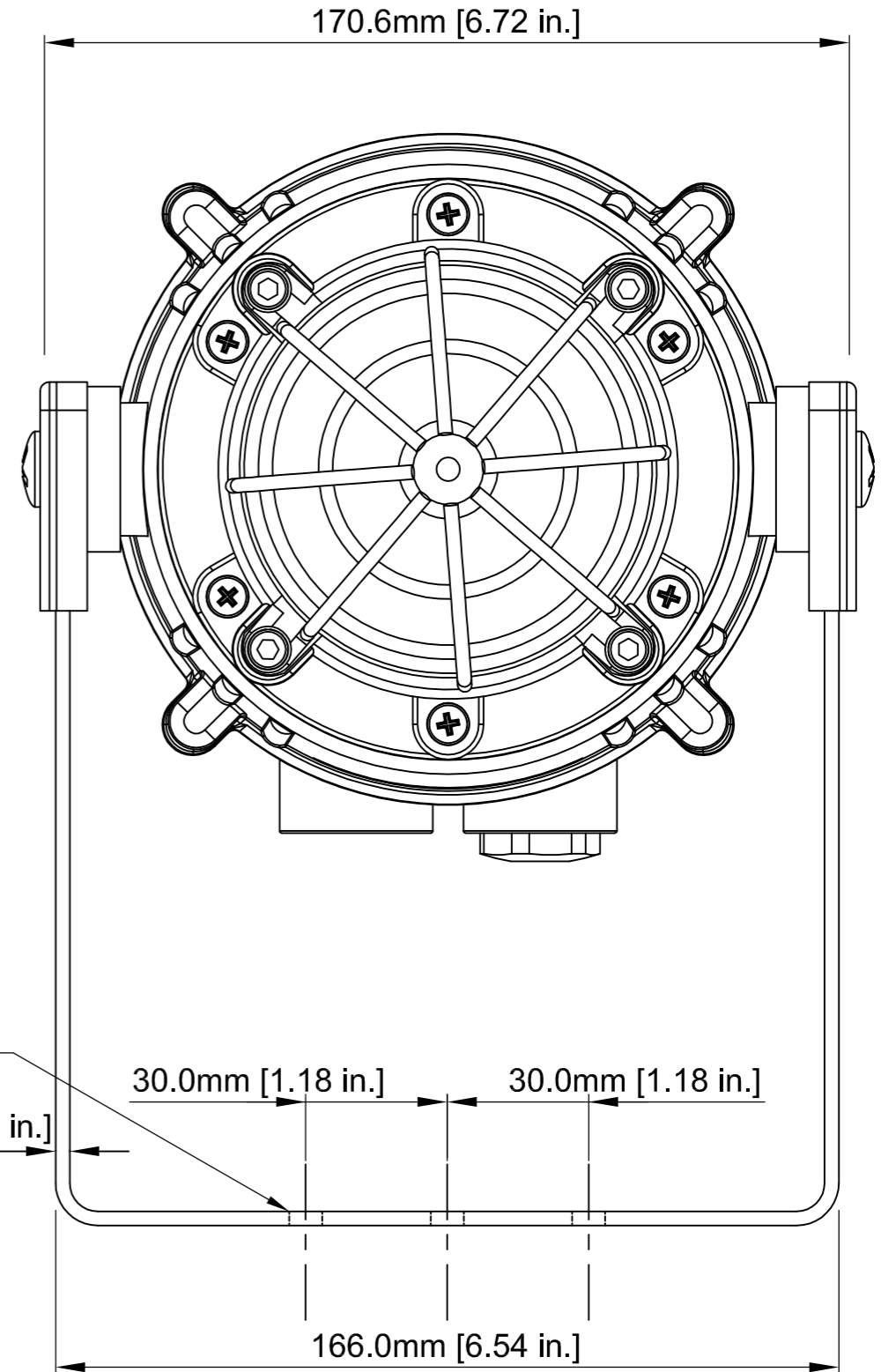


3 Holes \varnothing 7.00 [0.28 in.]

3.0mm [1.18 in.]



Note: Content is for general information only and is subject to change without notification.

THIS DRAWING IS CONFIDENTIAL AND COPYRIGHT PROPERTY OF THE MANUFACTURER AND MUST NOT BE COPIED OR LENT WITHOUT PERMISSION

Customer:	Drawing: SK0072	REV: 01
Project:	Title: MBX05 Xenon Strobe Beacon	
PO#	E2xB05, E2xB10, E2xBL2, MB021P, MB015P, MB005, MB010 Beacon	
Reference:	DATE: 21/04/09	DWG BY: PRDCM
Date:		



ProDetec Pty.Ltd.
 P. +61 (02) 9620 8700
 F. +61 (02) 9620 8755
 E. info@prodetec.com.au
 A. 17/38 Powers Rd,
 Seven Hills NSW 2147
www.prodetec.com.au