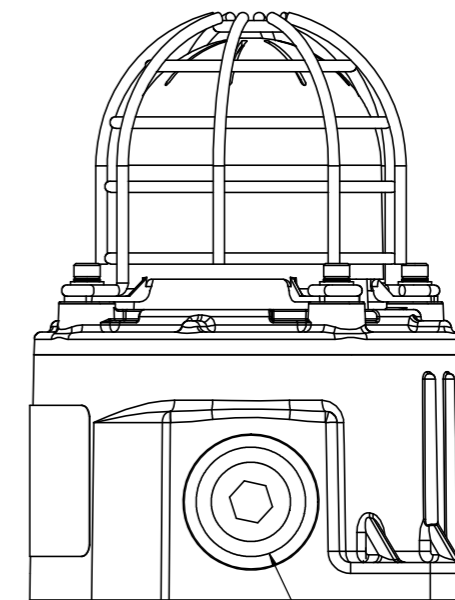
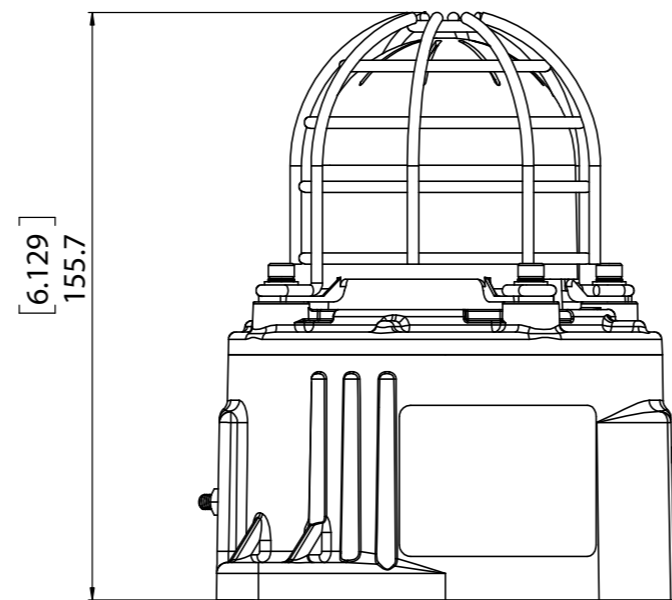


M4 EARTH STUD

M20 ENTRY



M20 ENTRY

DIMENSIONS IN MM & [INCHES]

Note: Content is for general information only and is subject to change without notification.

THIS DRAWING IS CONFIDENTIAL AND COPYRIGHT PROPERTY OF THE MANUFACTURER AND MUST NOT BE COPIED OR LENT WITHOUT PERMISSION

Customer:
Project:
PO#
Reference:
Date:

Drawing: SK0419 REV: 01
Title: **GNExB1X05 Xenon Strobe Beacon**
GNExB1 Beacon Outline Drawing
DATE: 07/12/15 DWG BY: PRDCM



ProDetec Pty.Ltd.
P. +61 (02) 9620 8700
F. +61 (02) 9620 8755
E. info@prodetec.com.au
A. 17/38 Powers Rd,
Seven Hills NSW 2147
www.prodetec.com.au