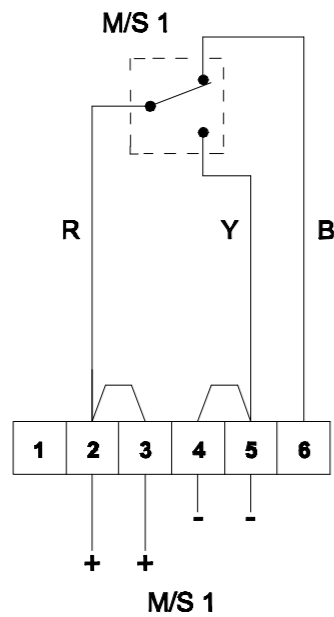


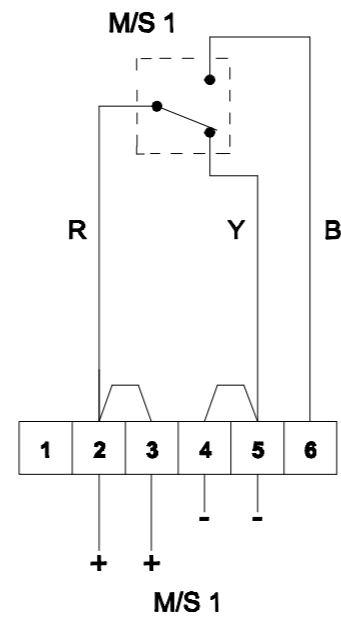
Single Microswitch



Unit in 'Standby condition'
unoperated

Terminal +(2,3) & (6)
switch contacts closed

Terminals +(2,3) & -(4,5)
switch contacts open



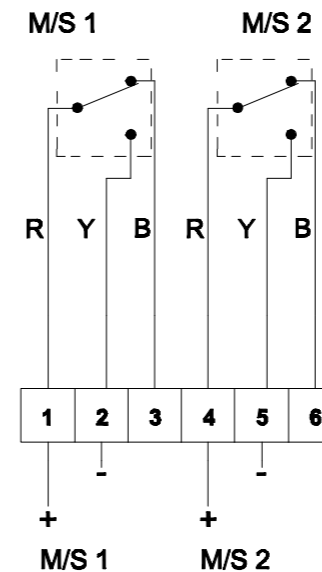
Unit in 'Operated condition'
(broken glass / Button pushed in)

microswitch contacts changed over

Terminal +(2,3) & (6)
switch contacts open

Terminals +(2,3) & -(4,5)
switch contacts closed

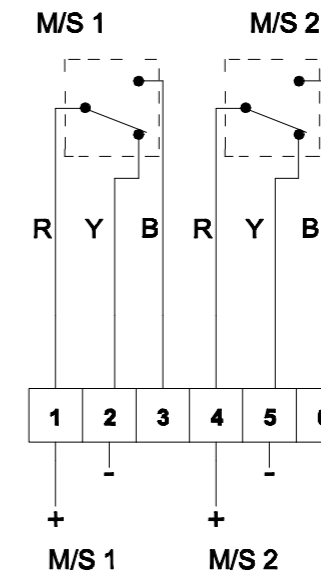
Dual Microswitch



Unit in 'Standby condition'
unoperated

Terminal +(1) & (3)
Terminal +(4) & (6)
switch contacts closed

Terminals+ (1) &- (2)
Terminals +(4) & -(5)
switch contacts open



Unit in 'Operated condition'
(broken glass / Button pushed in)

microswitch contacts changed over

Terminal +(1) & (3)
Terminal +(4) & (6)
switch contacts open

Terminals +(1) & -(2)
Terminals +(4) & -(5)
switch contacts closed

Note: Content is for general information only and is subject to change without notification.

THIS DRAWING IS CONFIDENTIAL AND COPYRIGHT PROPERTY OF THE MANUFACTURER AND MUST NOT BE COPIED OR LENT WITHOUT PERMISSION

Customer:
Project:
PO#
Reference:
Date:

Drawing: D154-06-001 REV: 01
Title: **GNECP6-PB Push Button Manual Call Point**
GNECP6A-BG/PB/PT Manual Call Point Wiring
Schematic
DATE: 07/02/20 DWG BY: PRDCM

ProDetec
Measure . Prevent . Protect . Control

ProDetec Pty.Ltd.
P. +61 (02) 9620 8700
F. +61 (02) 9620 8755
E. info@prodetec.com.au
A. 17/38 Powers Rd,
Seven Hills NSW 2147
www.prodetec.com.au