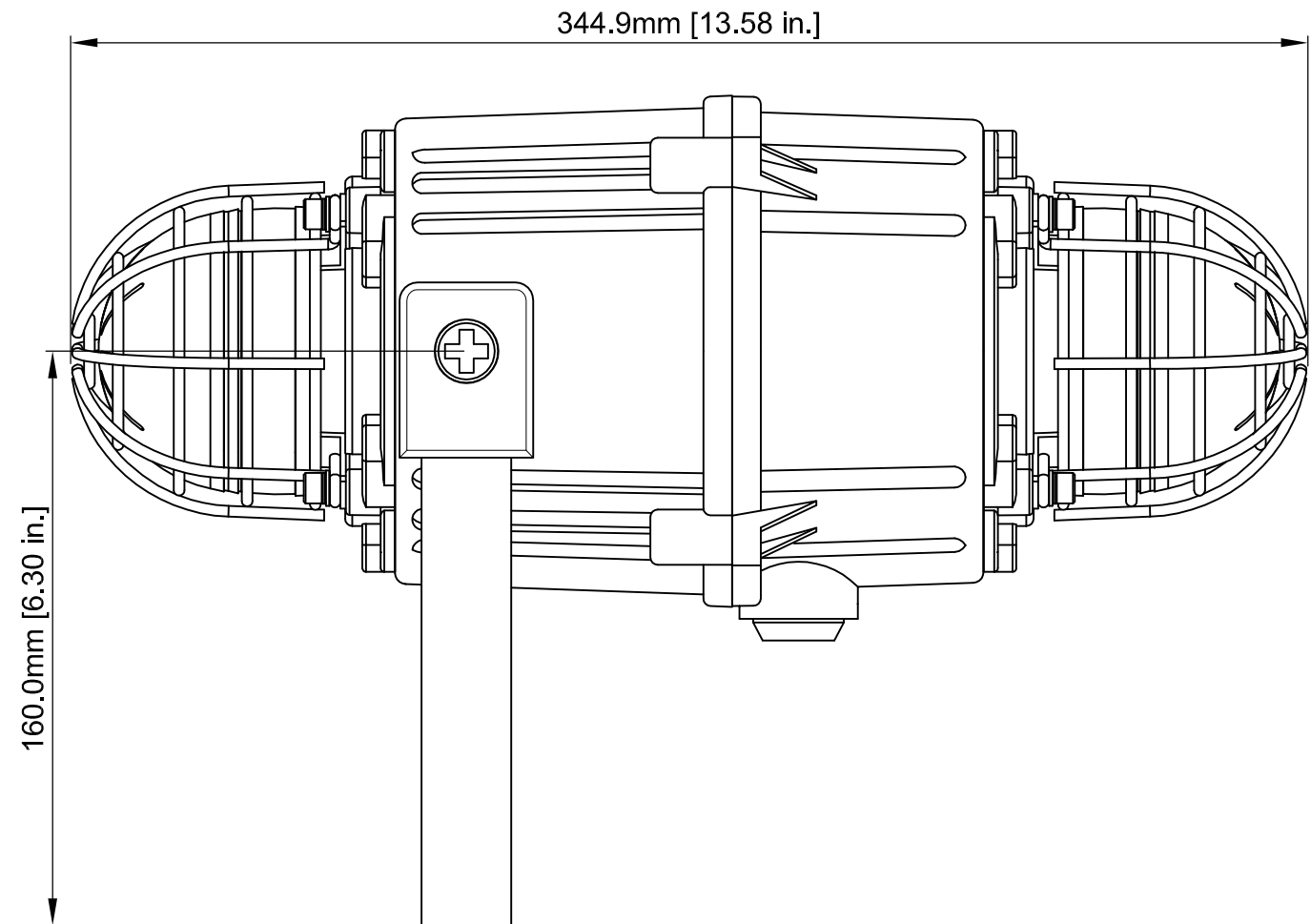



3 Holes Ø 7.00 [0.28 in.]



Note: Content is for general information only and is subject to change without notification.

THIS DRAWING IS CONFIDENTIAL AND COPYRIGHT PROPERTY OF THE MANUFACTURER AND MUST NOT BE COPIED OR LENT WITHOUT PERMISSION

Customer:	Drawing: SK0446	REV: 01	 ProDetec Pty.Ltd. P. +61 (02) 9620 8700 F. +61 (02) 9620 8755 E. info@prodetec.com.au A. 17/38 Powers Rd, Seven Hills NSW 2147 www.prodetec.com.au
	Title: MCBX05X05 Dual Xenon Strobe Beacon MCB Dual Beacon Outline Drawing		
Project:	DATE: 14/06/17	DWG BY: PRDCM	
PO#			
Reference:			
Date:			

Measure . Prevent . Protect . Control