

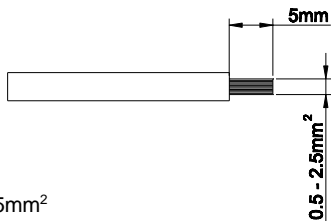
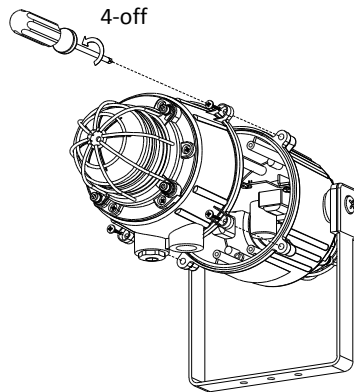
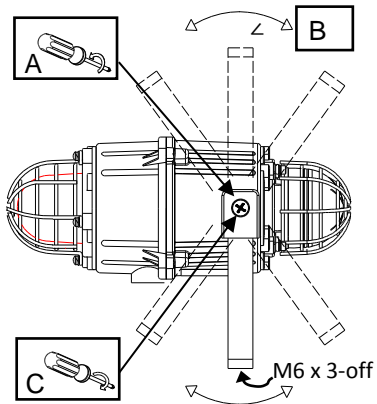
Dual Xenon Beacon
 Synchronised
 IP Rating: IP67/66 & Type
 4/4X/13
 Operating Temperature Range:
 -25°C to +55°C
 Unit Weight: 1.48Kg
 CE, EAC, Russian Maritime
 Register and GOST-P approved
 M20 and/or ½" NPT Entries

Unit Type Code	Nominal Voltage	Voltage Range	Nominal Current
MCBX05X05DC012	12 V DC	10-14V DC	750
MCBX05X05DC024	24 V DC	20-28V DC	270
MCBX05X05DC048	48V DC	42-54V DC	180
MCBX05X05AC115	115V DC	115V +/-10% AC 50/60Hz	140
MCBX05X05AC230	230V DC	230V +/-10% AC 50/60Hz	55

⚠ ATTENTION: Installation must be carried out by an electrician in compliance with the latest codes and regulations.

⚠ ATTENTION: Disconnect from power source before installation or service to prevent electric shock.





Strip cable 5mm.
 Terminals accept cable 0.5-2.5mm²
 Use suitable cable glands with suitable IP rating

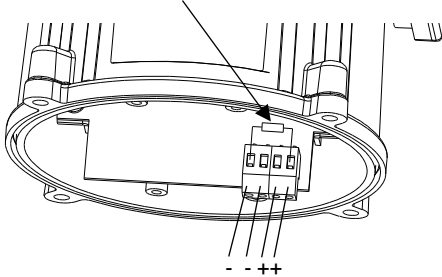
End of Line Monitoring Beacon 1 (DC Only)

DC Line Monitoring Resistor

(Recommended:

24V DC = MIN 3K9Ω, 0.5W or 1KΩ 2.0W

48V DC = MIN 15KΩ, 0.5W or 3K9Ω 2.0W)



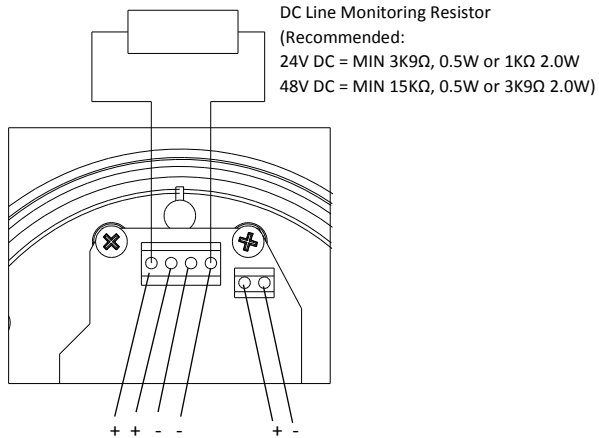
End of Line Monitoring Beacon 2 (DC Only)

DC Line Monitoring Resistor

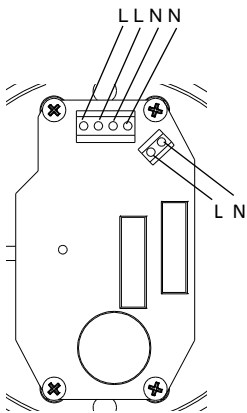
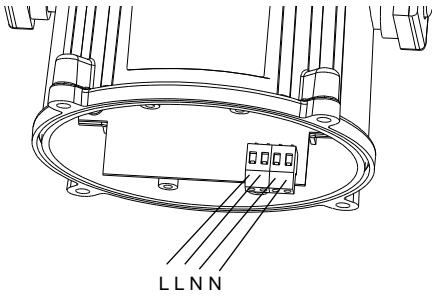
(Recommended:

24V DC = MIN 3K9Ω, 0.5W or 1KΩ 2.0W

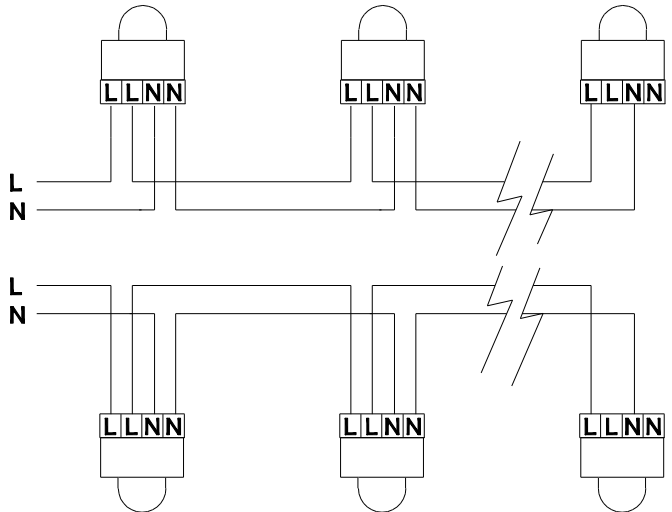
48V DC = MIN 15KΩ, 0.5W or 3K9Ω 2.0W)



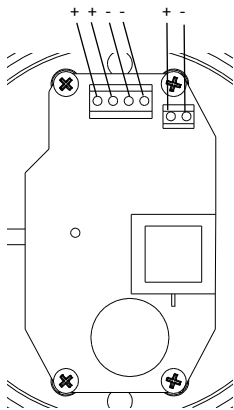
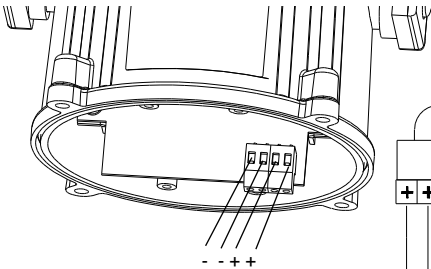
AC Beacon 1



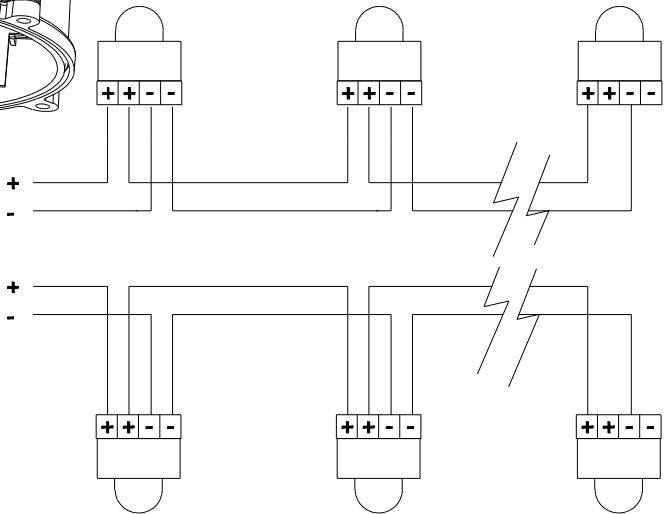
AC Beacon 2



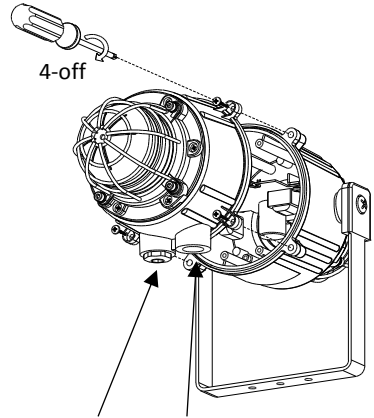
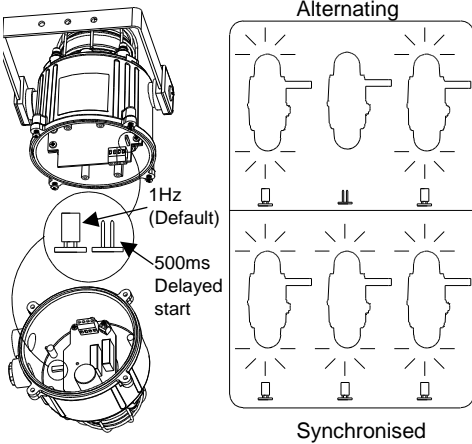
DC Beacon 1



DC Beacon 2

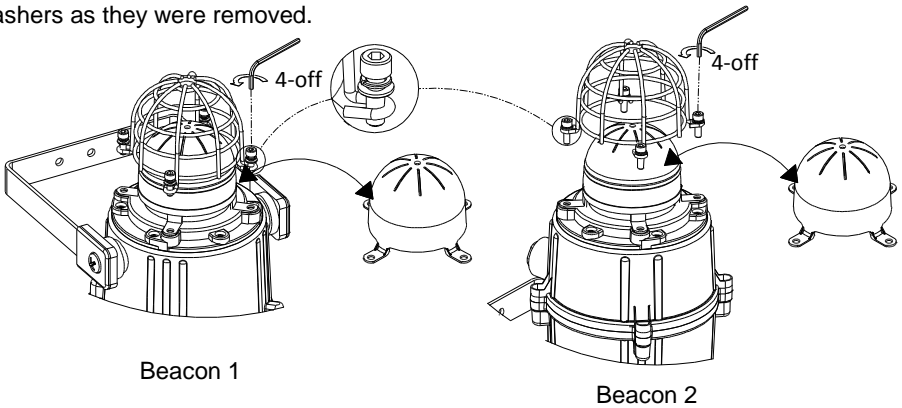


Link Settings



Order code	Entry Type	Entry Type	Stopping Plugs Provided
MCBX05X05AC230[A]	M20	½" NPT	1-off M20 & 1-off ½" NPT
MCBX05X05AC230[B]	M20	M20	1-off M20 only
MCBX05X05AC230[C]	½" NP	½" NPT	1-off ½" NPT only

Guards can be removed to replace Prismatic lenses, (various colours available). Always replace screws and washers as they were removed.



Page intentionally left blank.

Page intentionally left blank.