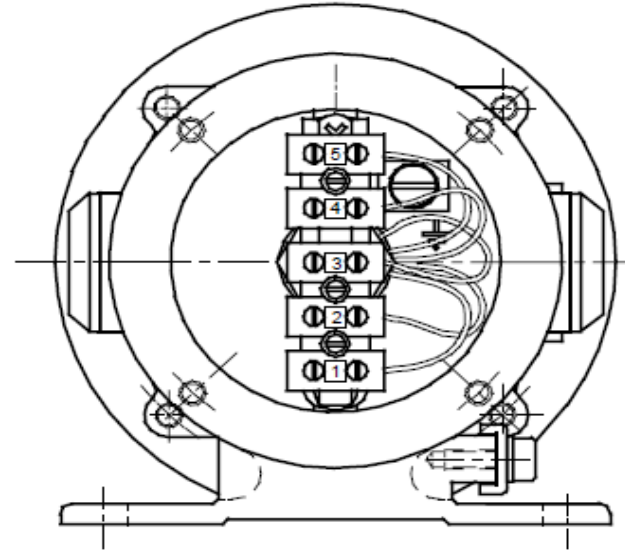
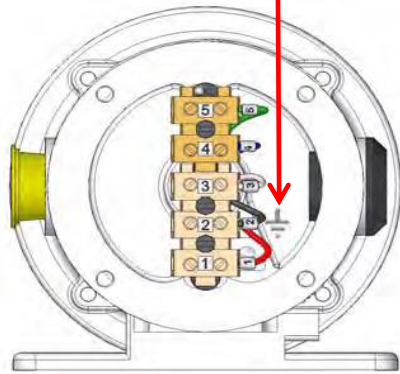


Internal Earth Point



External Earth Point

Terminal 5 Factory use only
Terminal 4 Factory use only

Terminal 3 4-20 mA output
Terminal 2 24 V return (0 V)
Terminal 1 +24 VDC

! The detector housing must be connected to local ground via the external earth point. The wire should be minimum 4 mm² (8 AWG) and as short as possible.

The above is based on information available in the Instruction Manual (IOM) - please refer to the IOM for more details and additional information.

THIS DRAWING IS CONFIDENTIAL AND COPYRIGHT PROPERTY OF THE MANUFACTURER AND MUST NOT BE COPIED OR LENT WITHOUT PERMISSION

Customer:
Project:
PO#
Reference:
Date:

Drawing: PRO10-GD10-WD REV: 01
Title: Simtronics GD10 Gas Detectors
Terminal Arrangement
DATE: 20/01/2014 DWG BY: PRB


ProDetec
Measure . Prevent . Protect . Control

ProDetec Pty.Ltd.
P. +61 (02) 9620 8700
F. +61 (02) 9620 8755
E. info@prodetec.com.au
A. 17/38 Powers Rd,
Seven Hills NSW 2147
www.prodetec.com.au